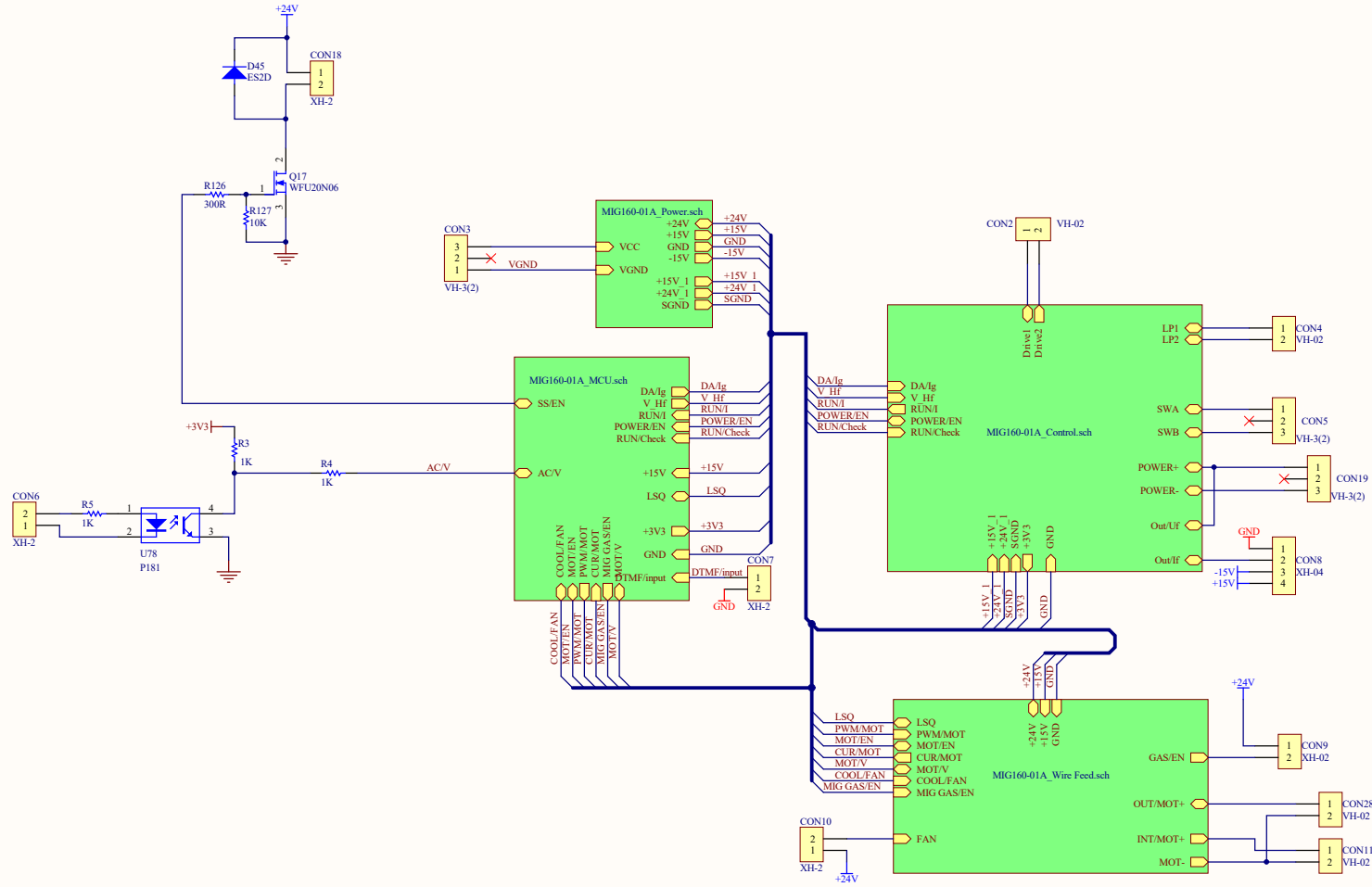
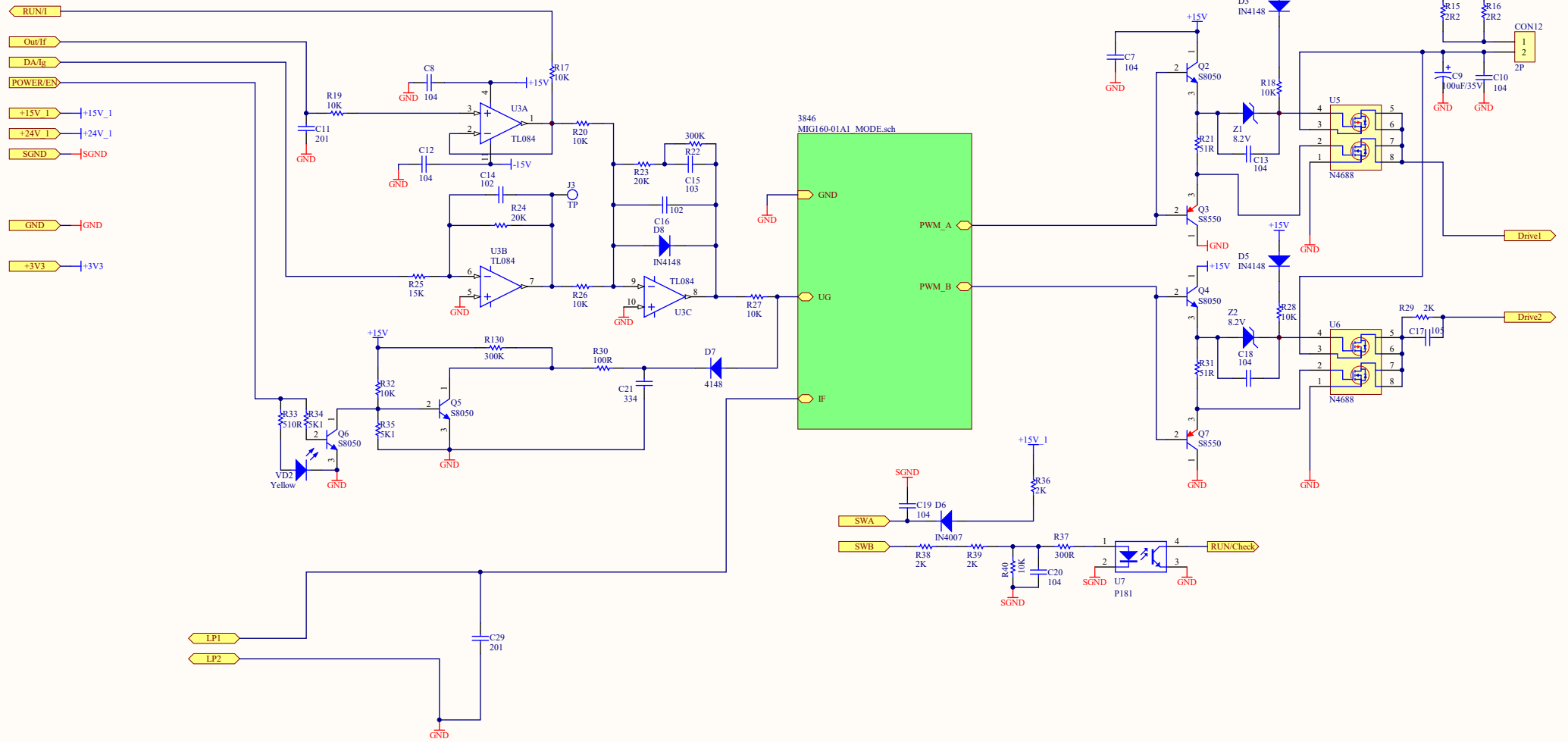
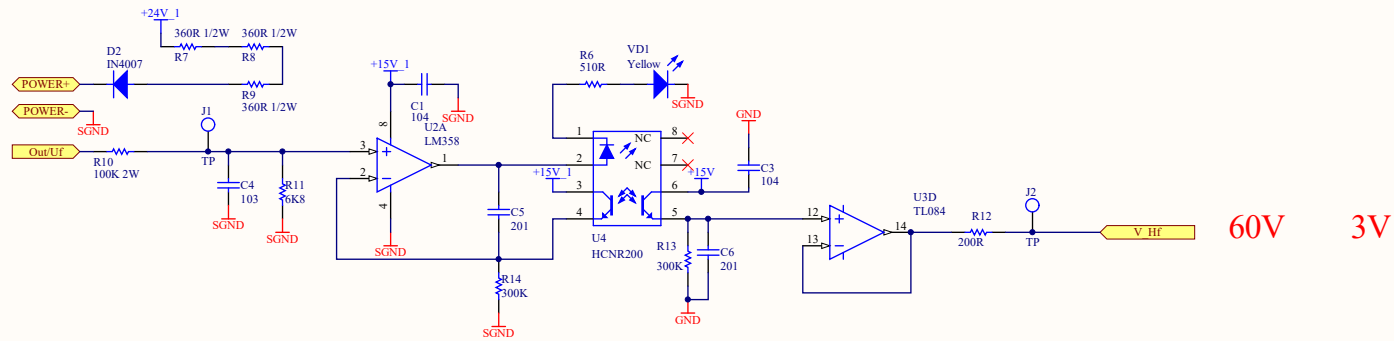
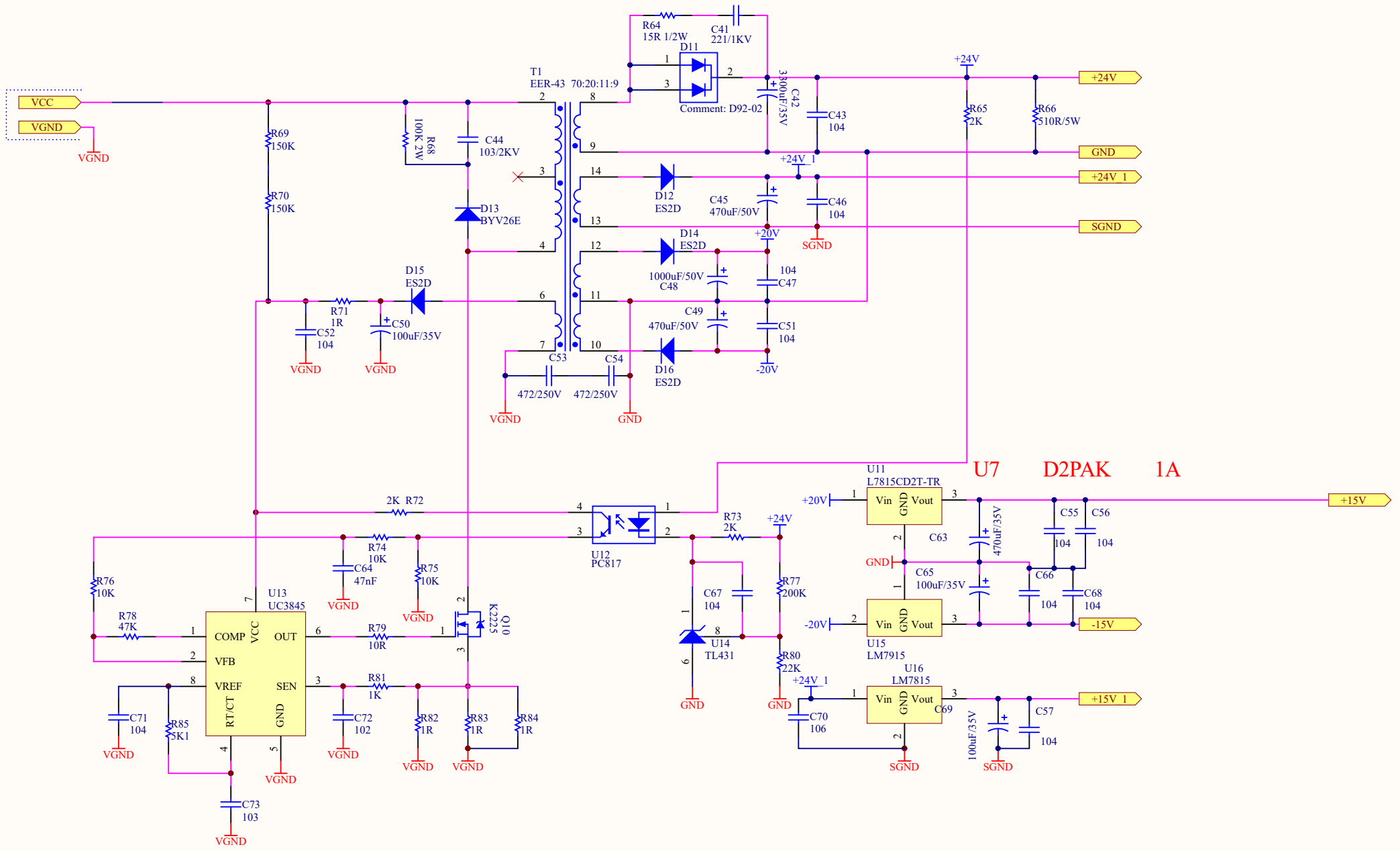
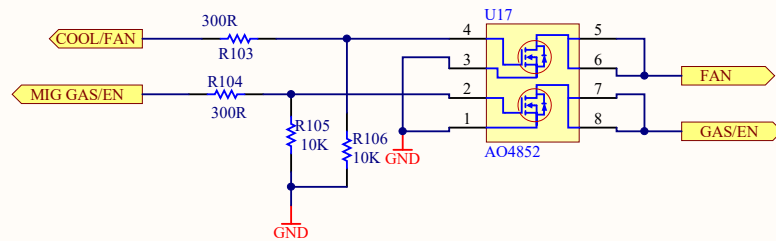
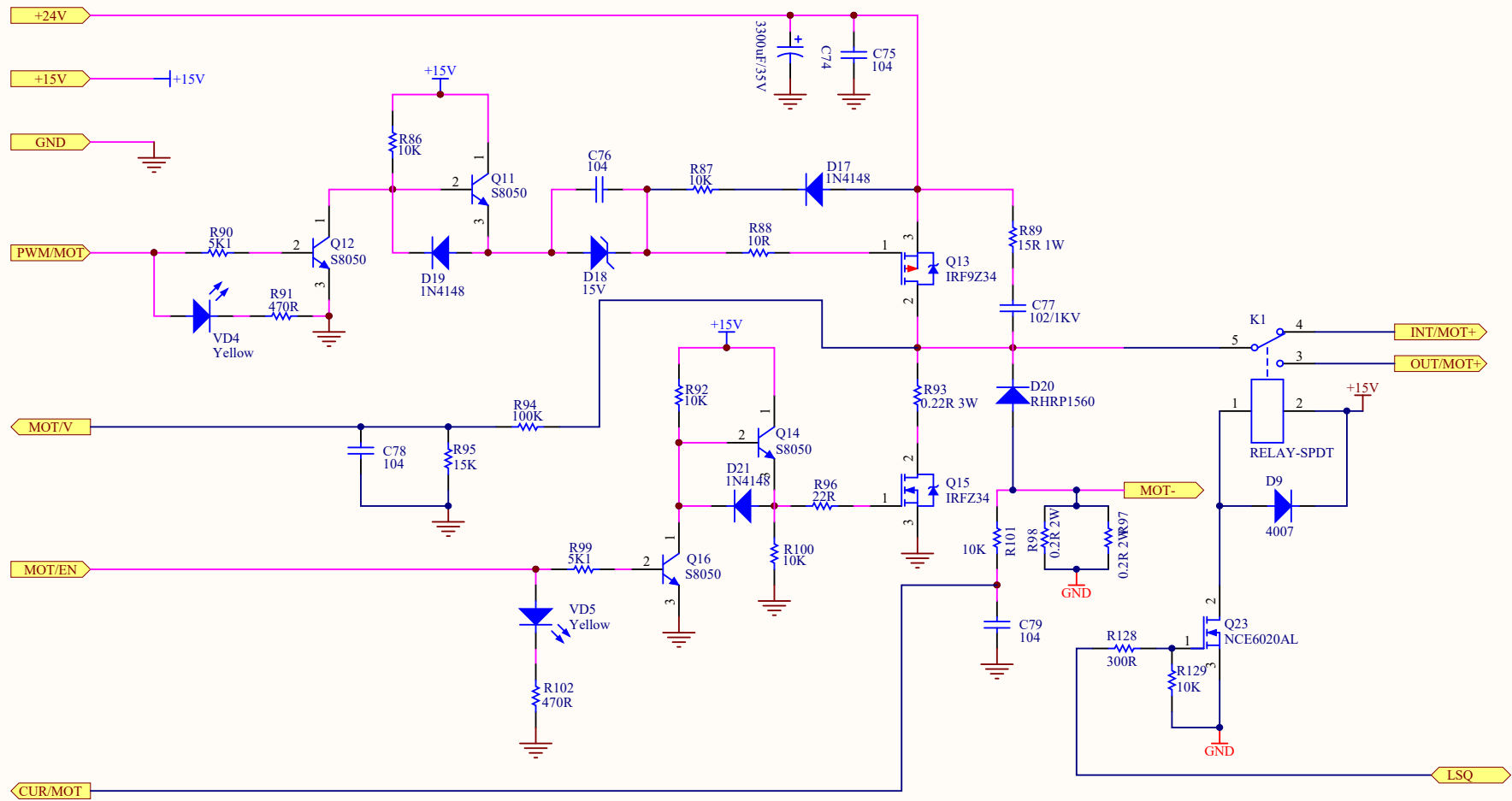


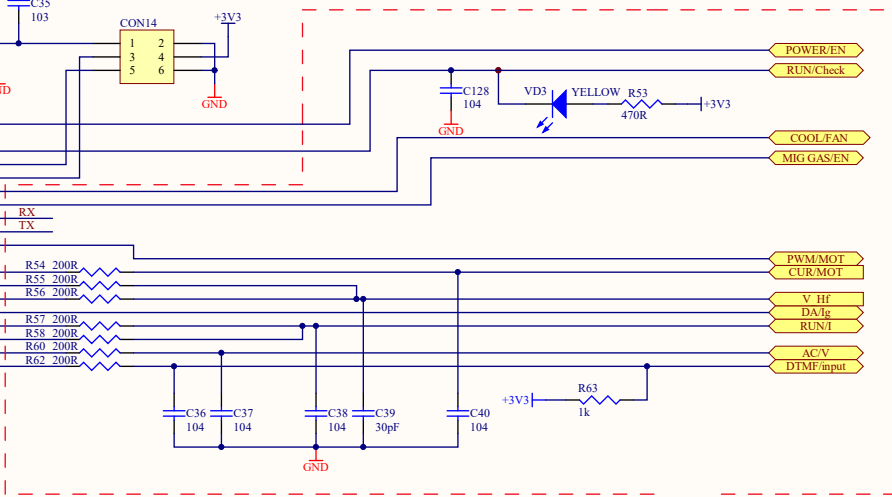
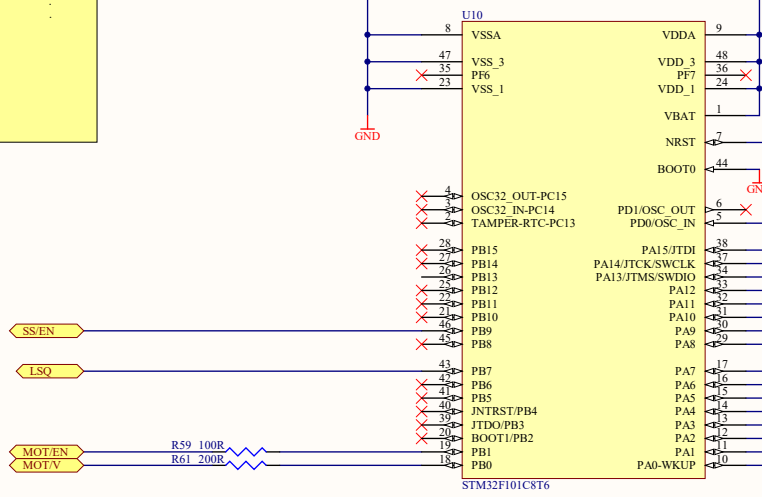
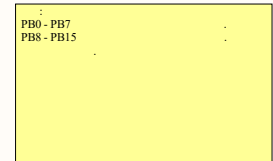
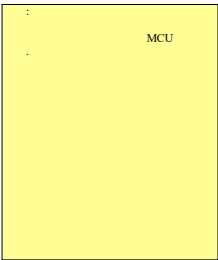
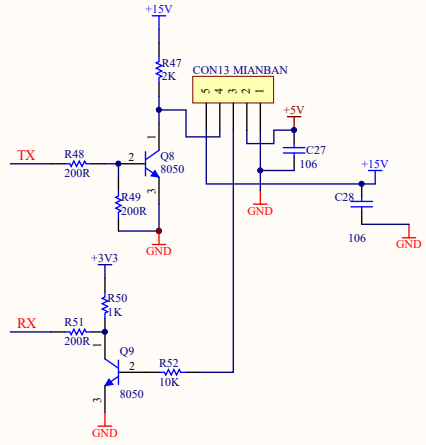
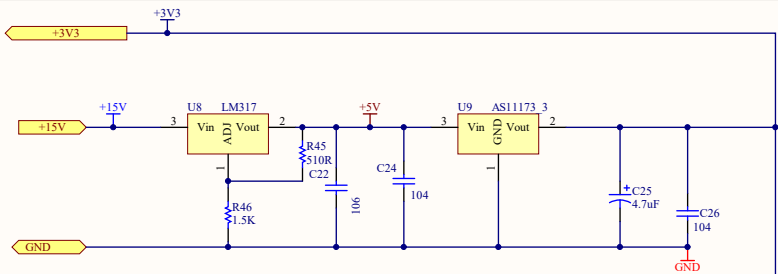
Title		
Size	Number	Revision
A4		
Date:	2018/12/24	Sheet of
File:	E:\A _\MIG160-01A1 MODE.sch	Drawn By:











A

B

C

D

A

B

C

D