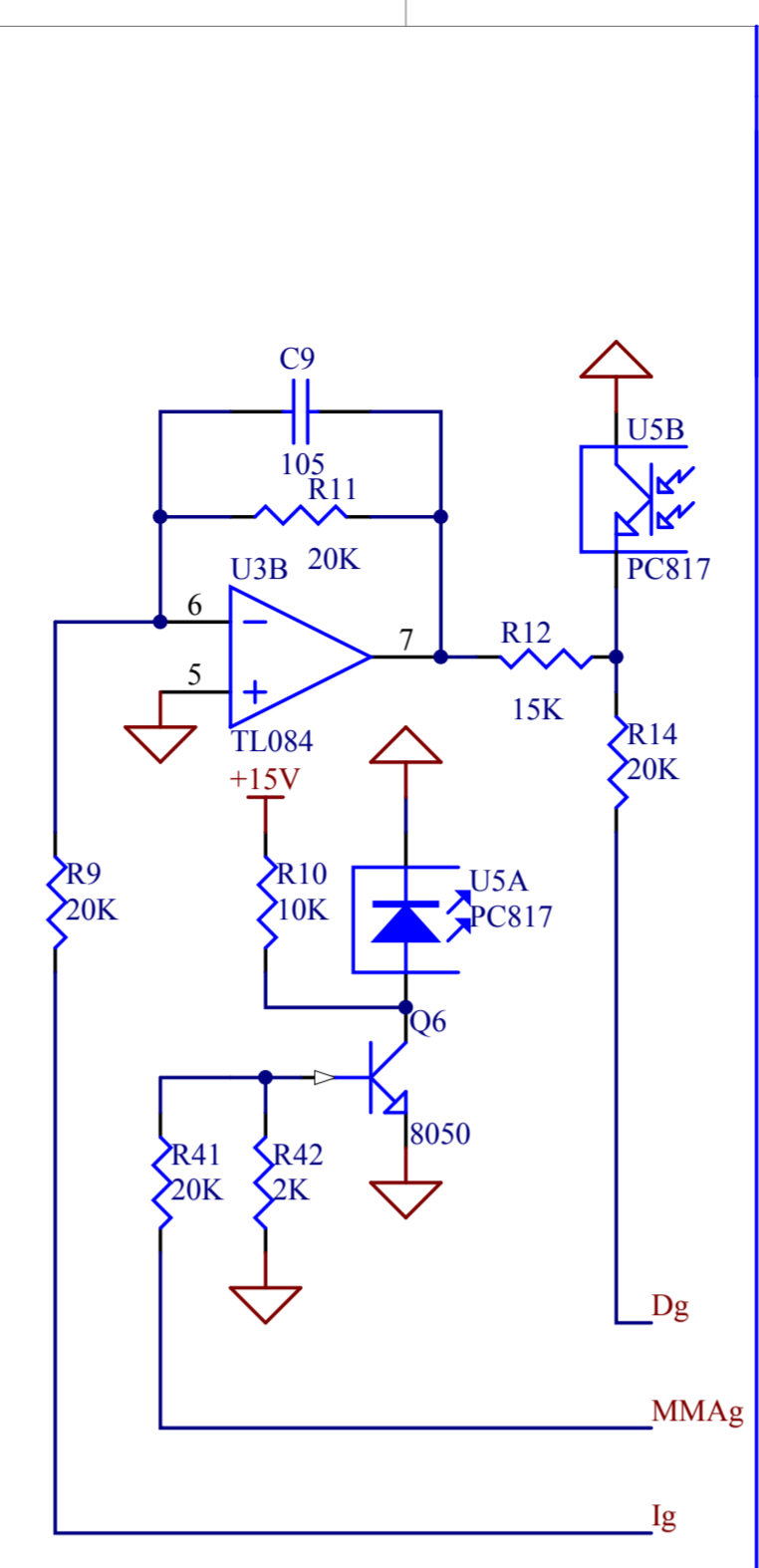
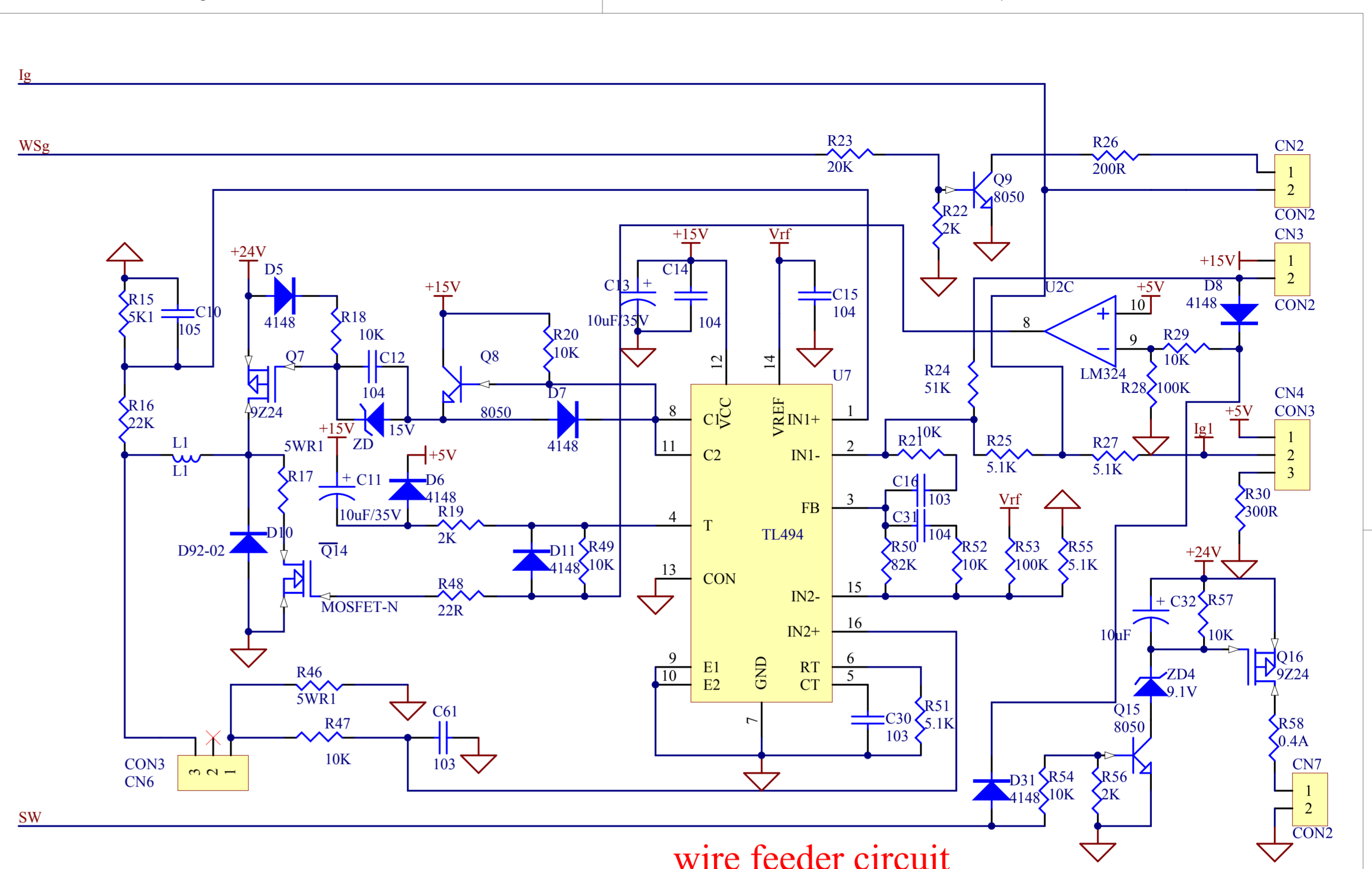


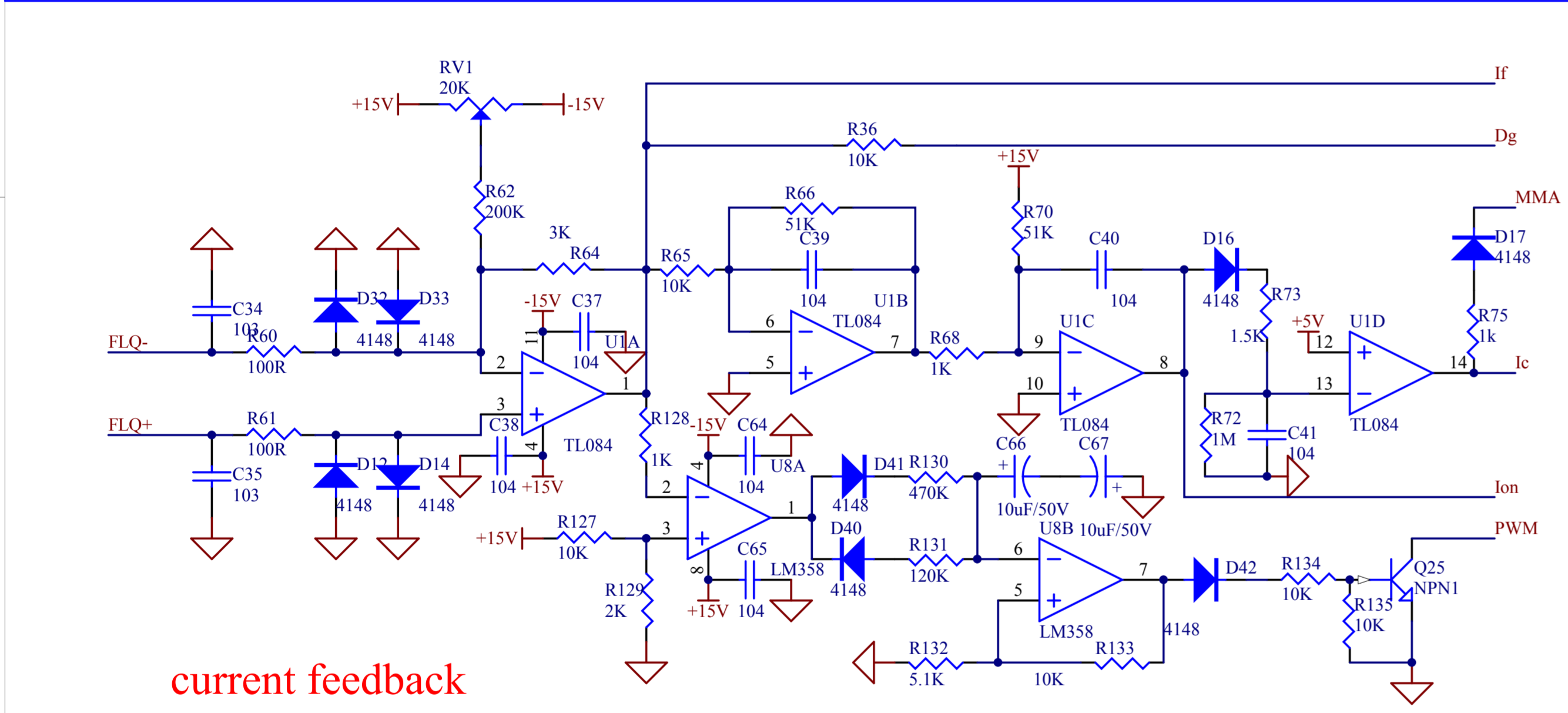
PWM control board



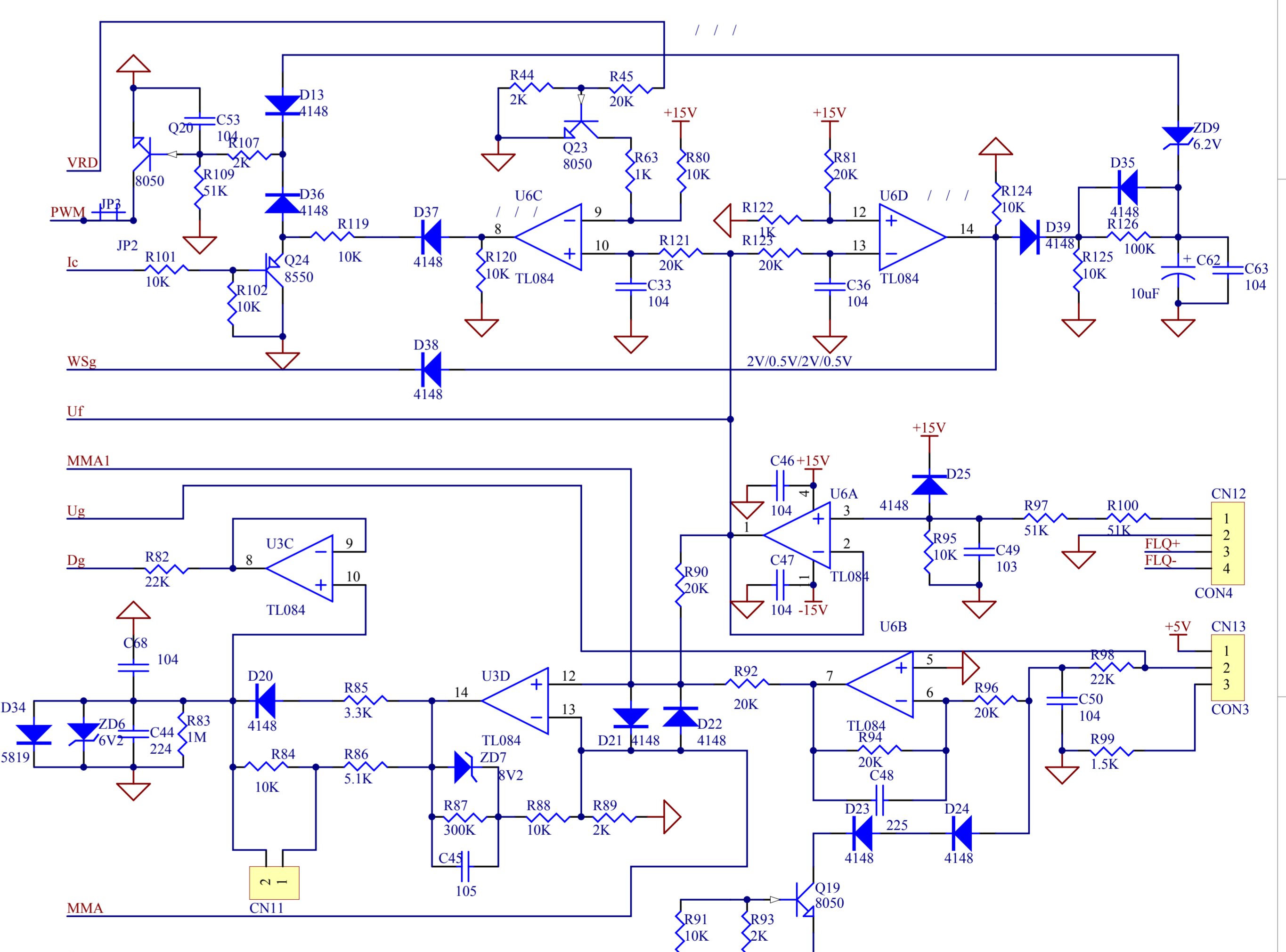
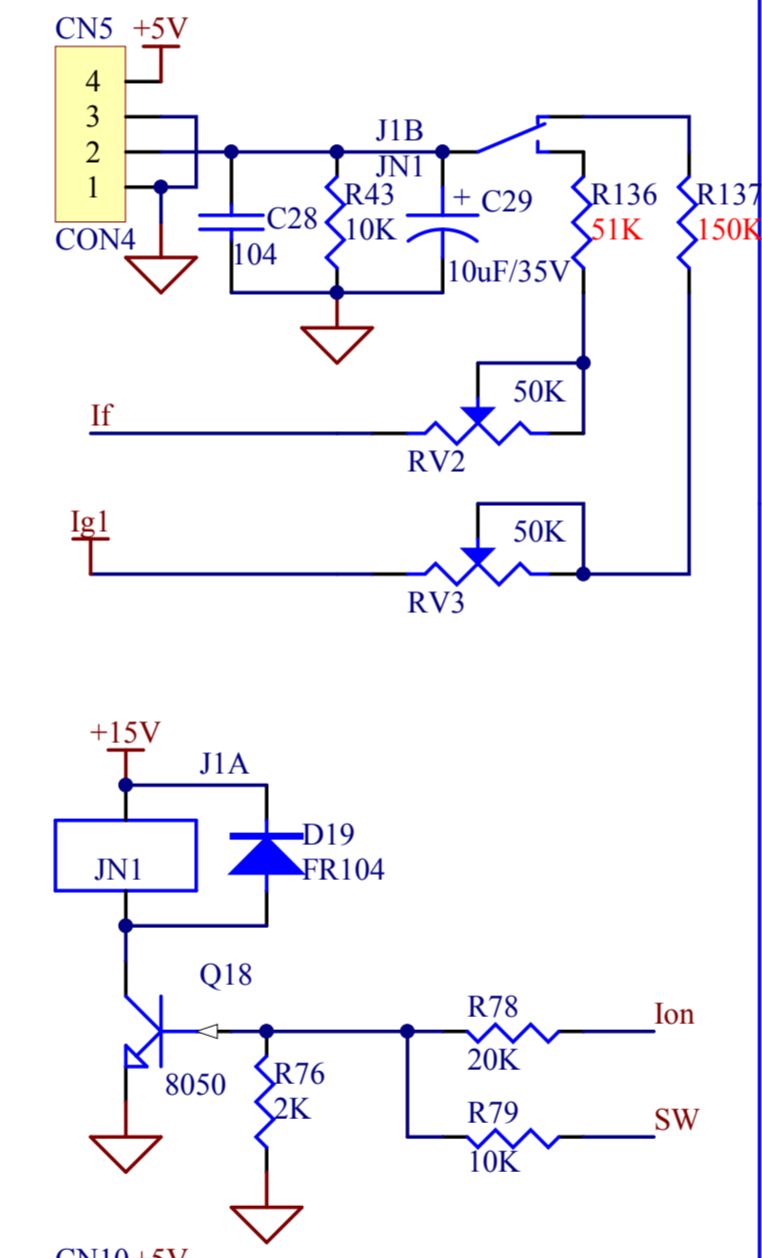
thrust circuit



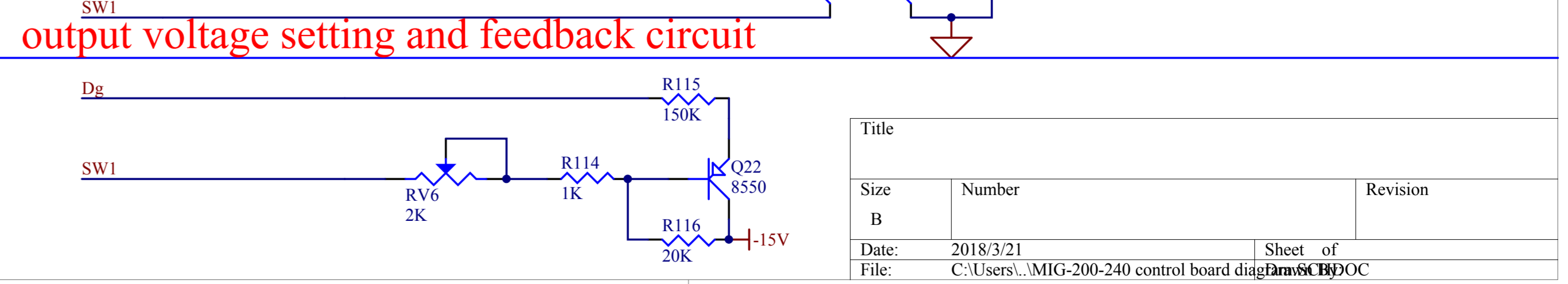
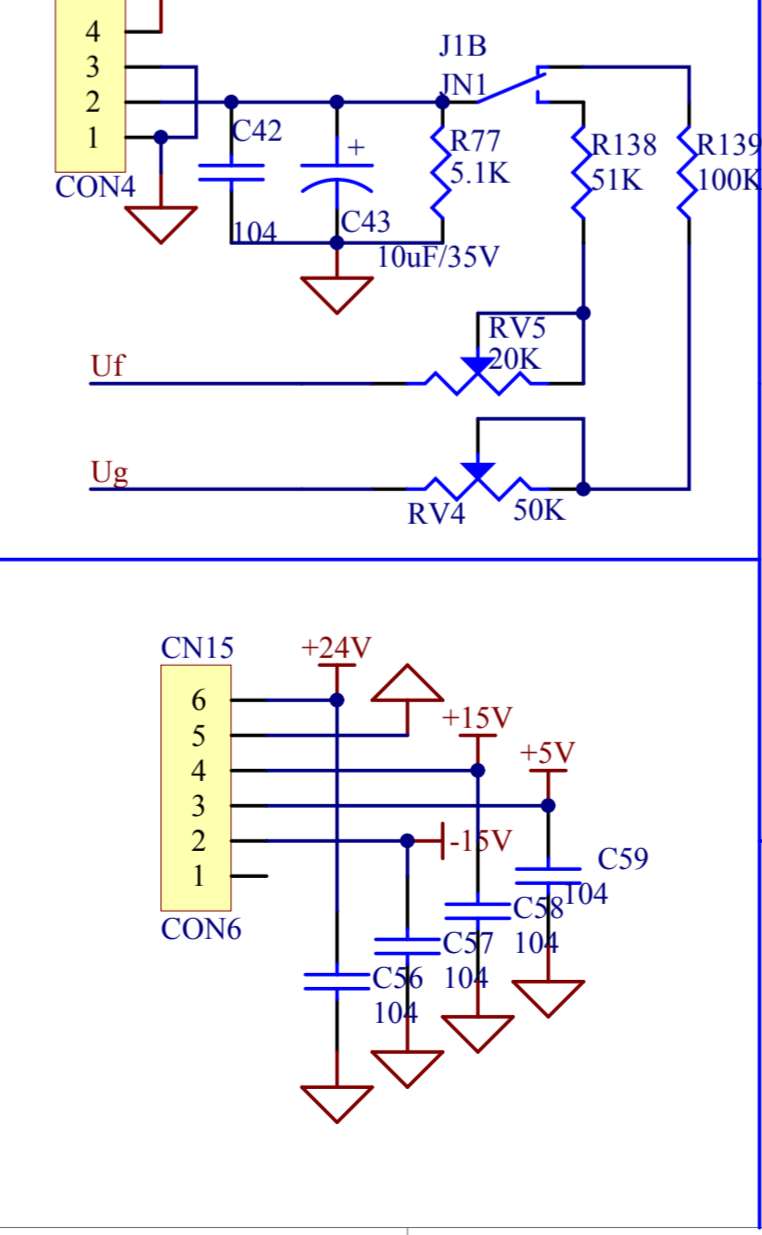
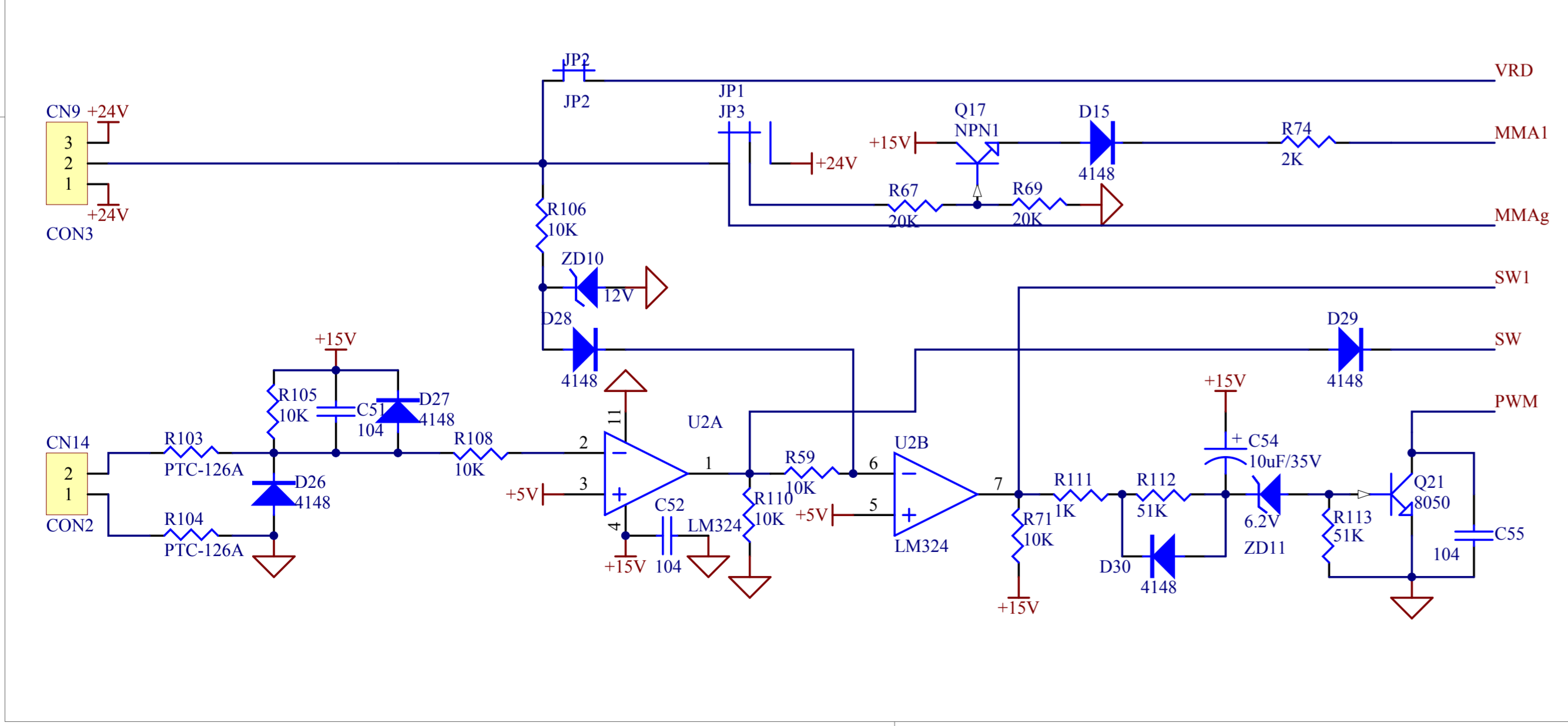
wire feeder circuit



current feedback



output voltage setting and feedback circuit



Title		
Size	Number	Revision
B		
Date:	2018/3/21	Sheet of
File:	C:\Users\...MIG-200-240 control board diagram	1/1