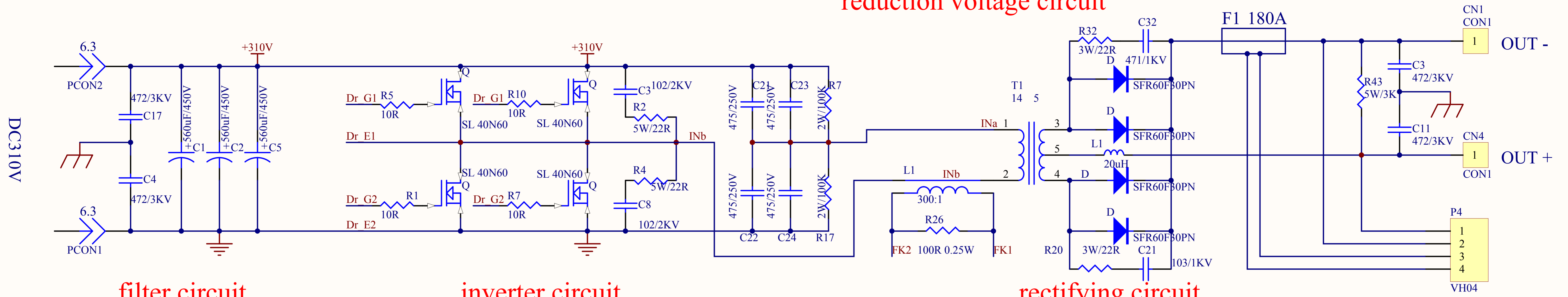


# reduction voltage circuit

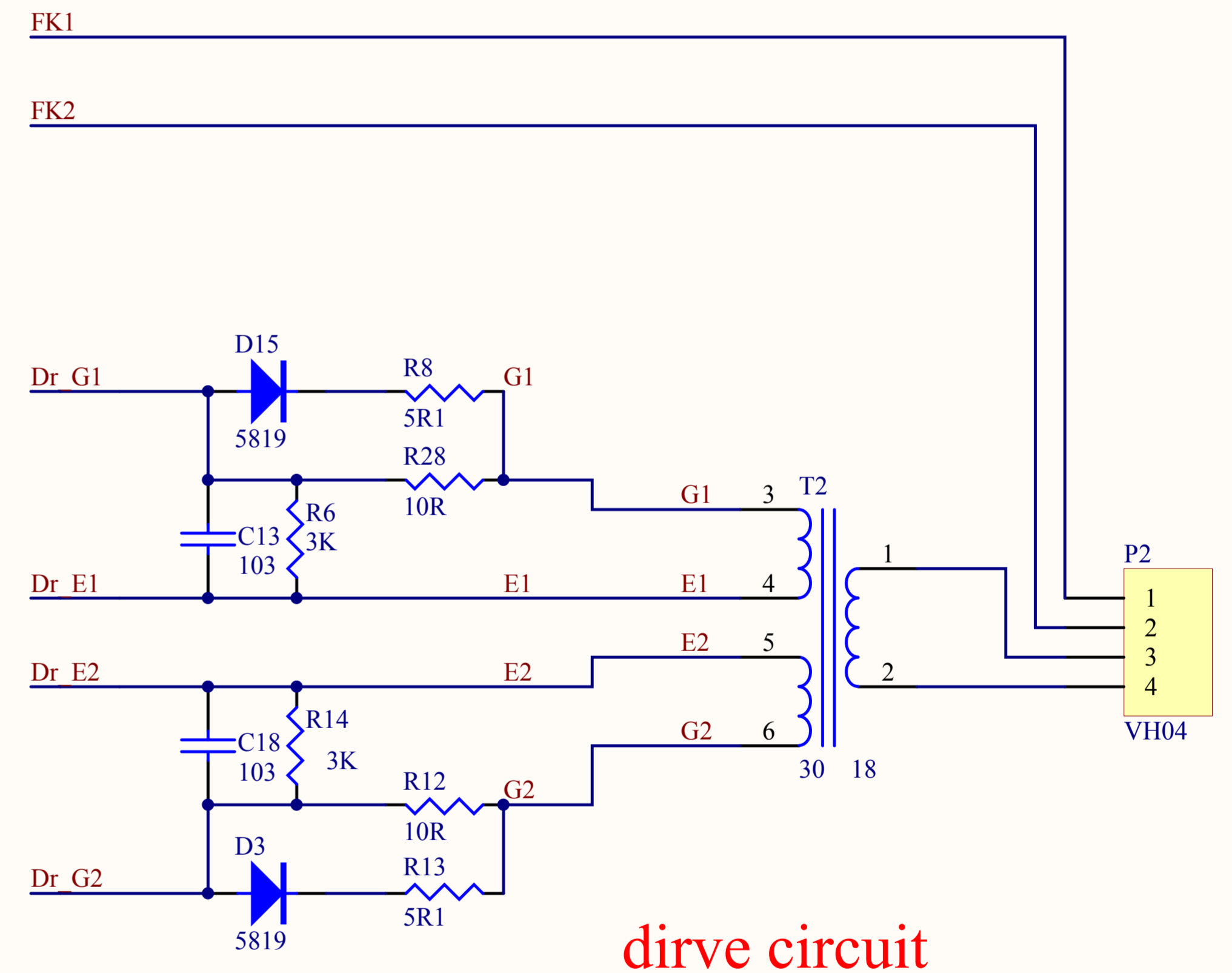
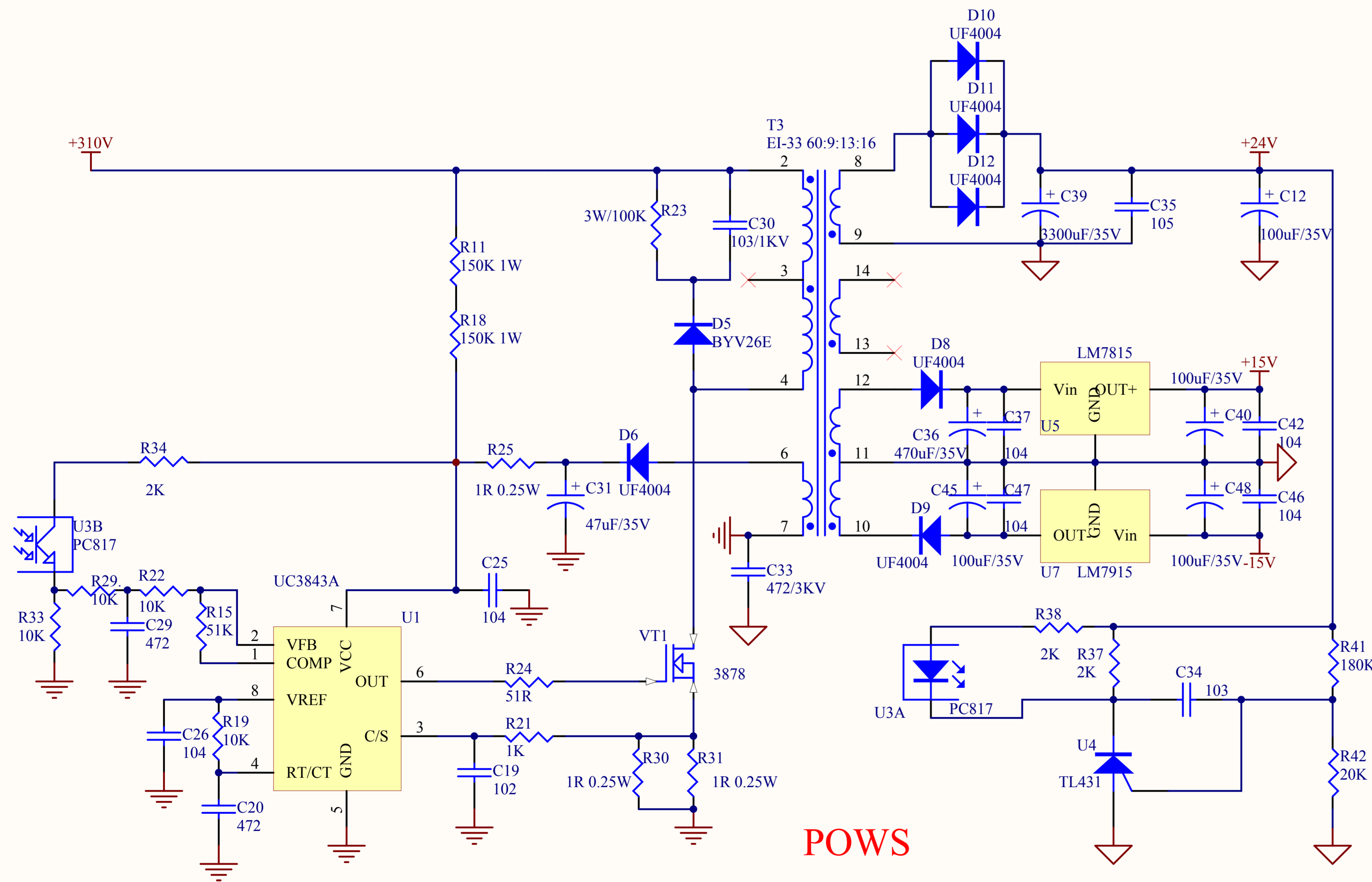


## filter circuit

## inverter circuit

## rectifying circuit

# POWS



## dirve circuit

Title		
Size	Number	Revision
B		
Date:	2018/3/21	Sheet of
File:	C:\Users\...MIG-200 main PCB diagram.Sch	Drawn By: