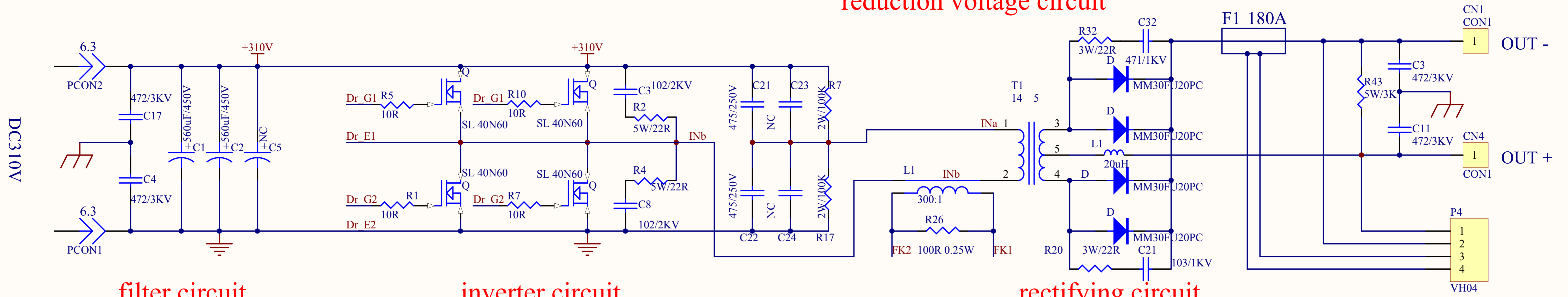


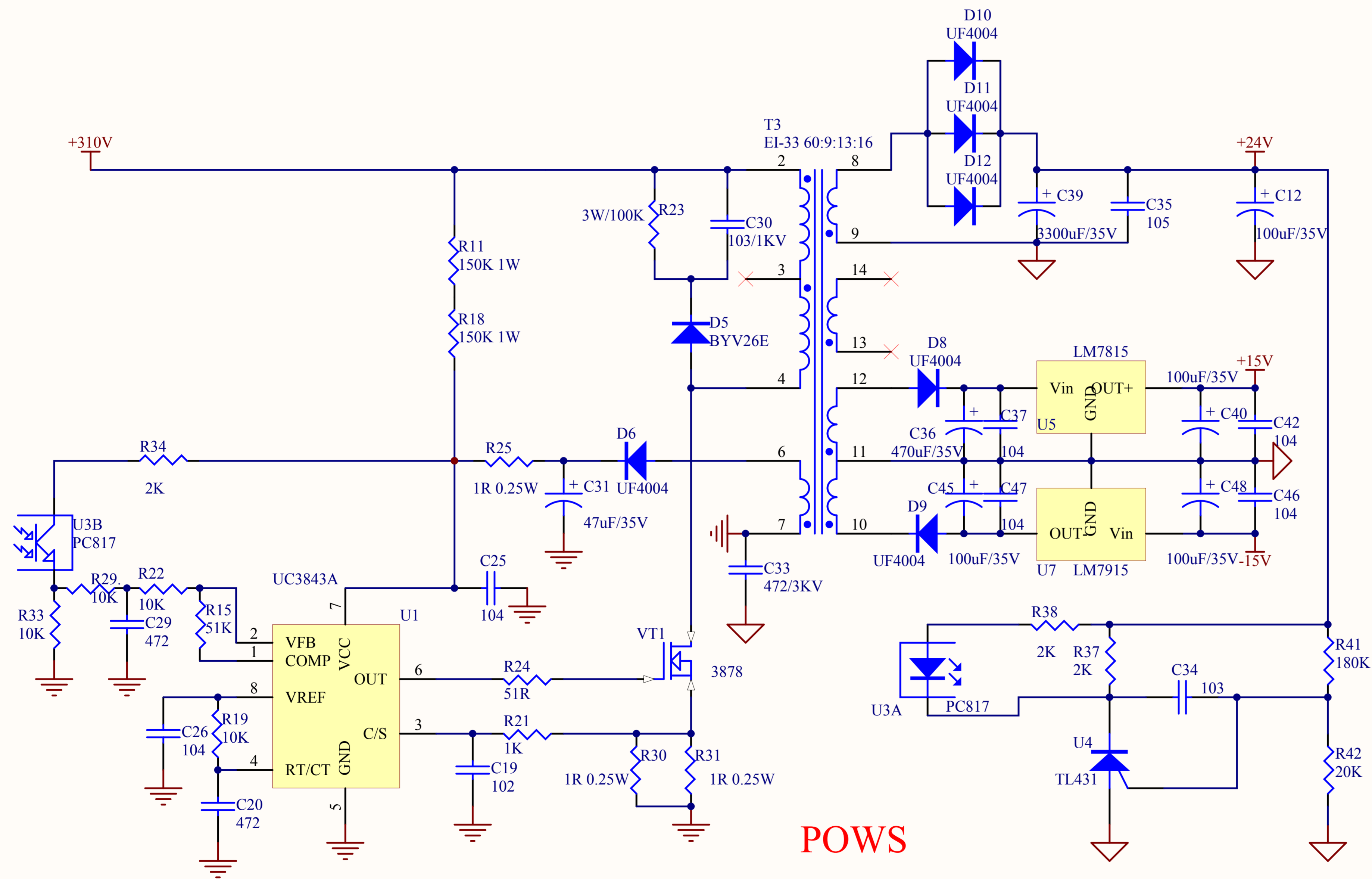
# reduction voltage circuit



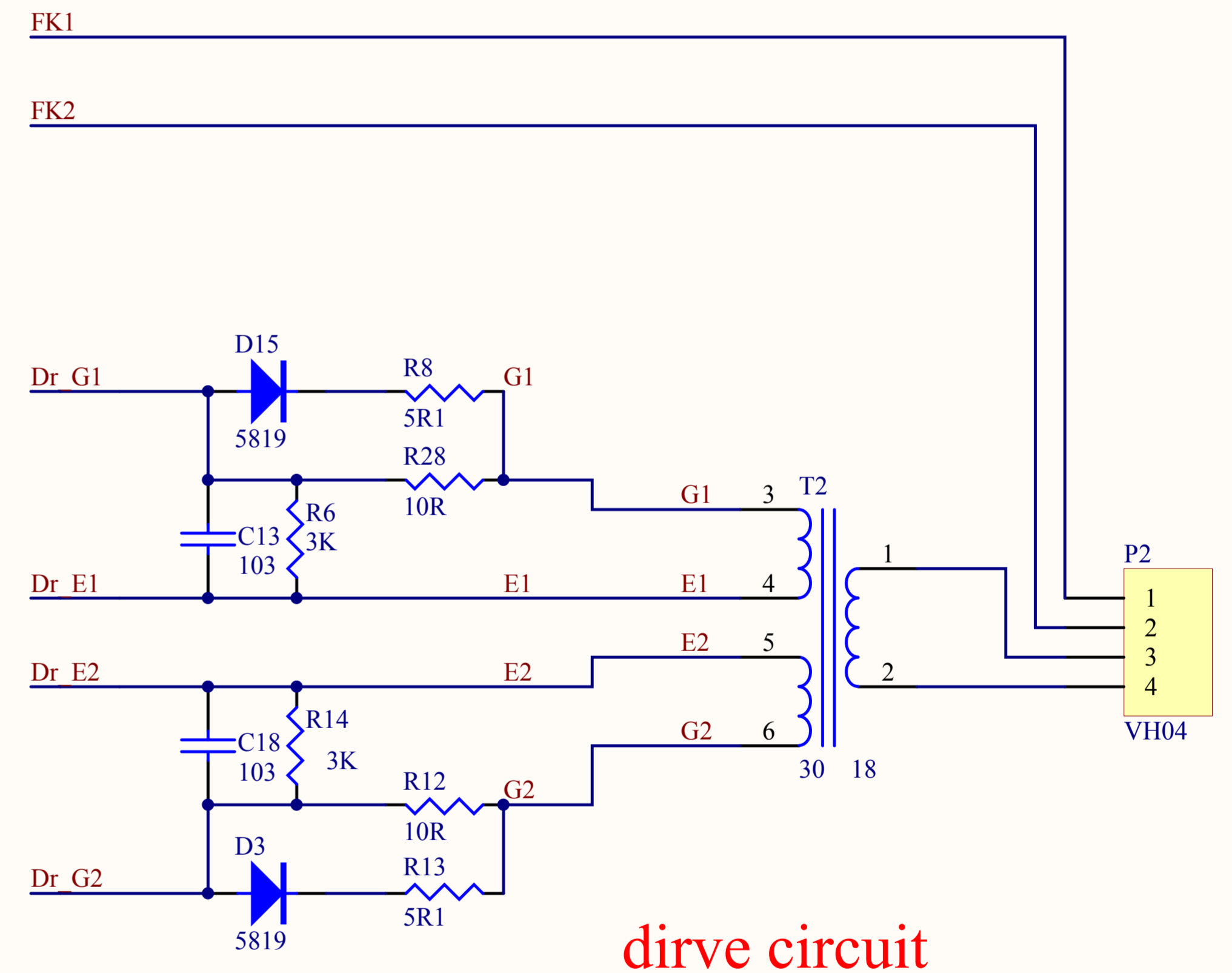
filter circuit

inverter circuit

rectifying circuit



POWS



dirve circuit

Title		
Size	Number	Revision
B		
Date:	2018/3/21	Sheet of
File:	C:\Users\...\MIG-160 main PCB diagram.SchDoc	Download By: