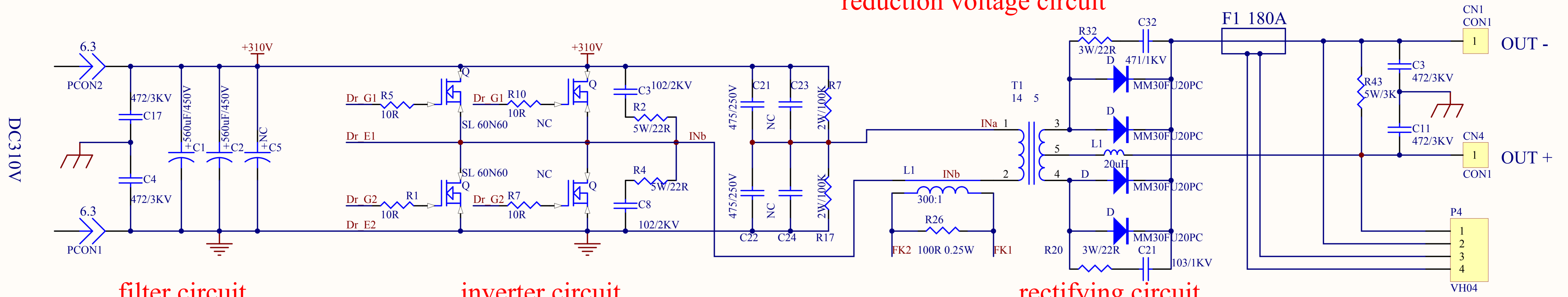


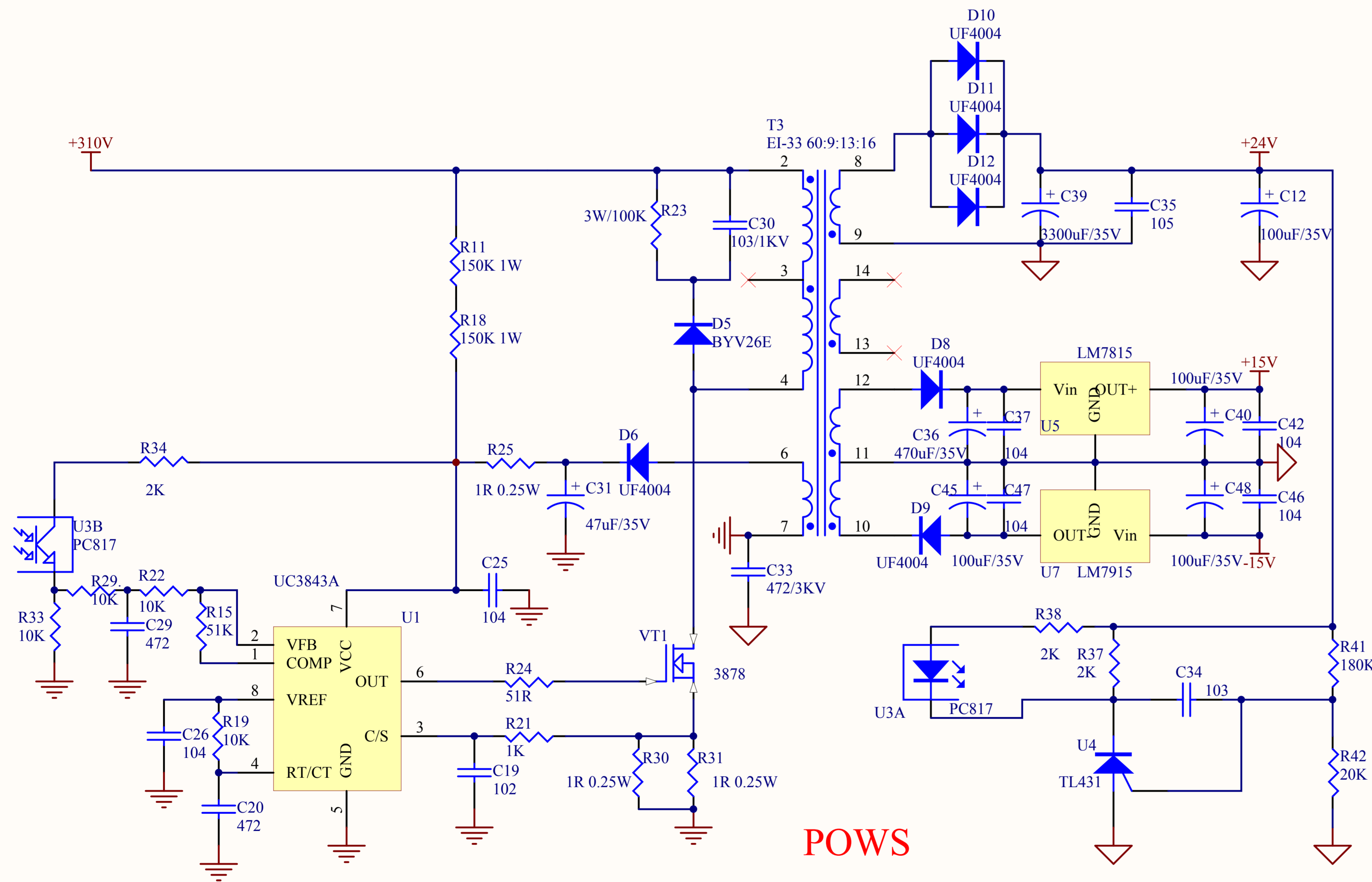
reduction voltage circuit



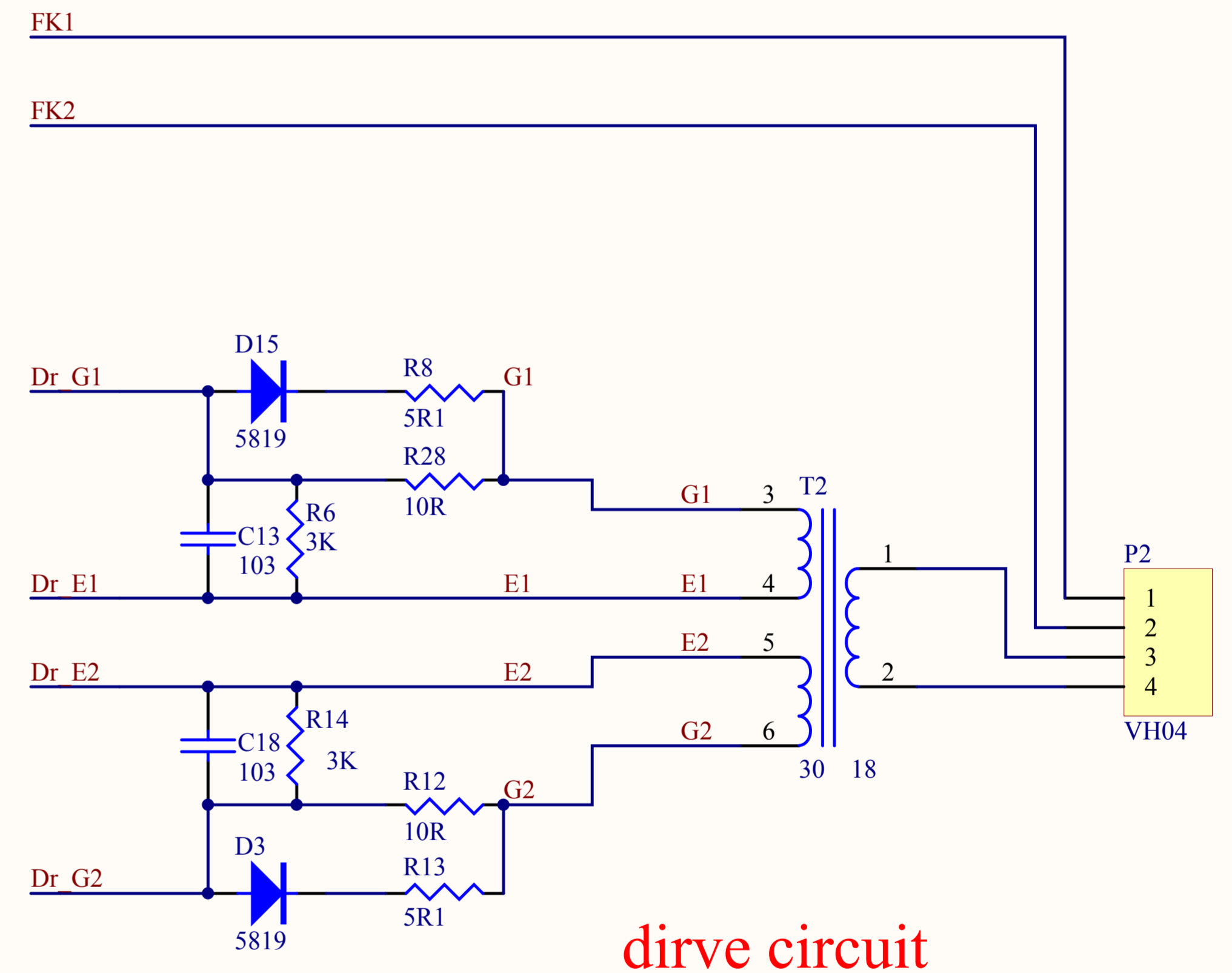
filter circuit

inverter circuit

rectifying circuit



POWS



dirve circuit

Title		
Size	Number	Revision
B		
Date:	2018/3/21	Sheet of
File:	C:\Users\...MIG-120 main PCB diagram.SCH	By: