

A

B

C

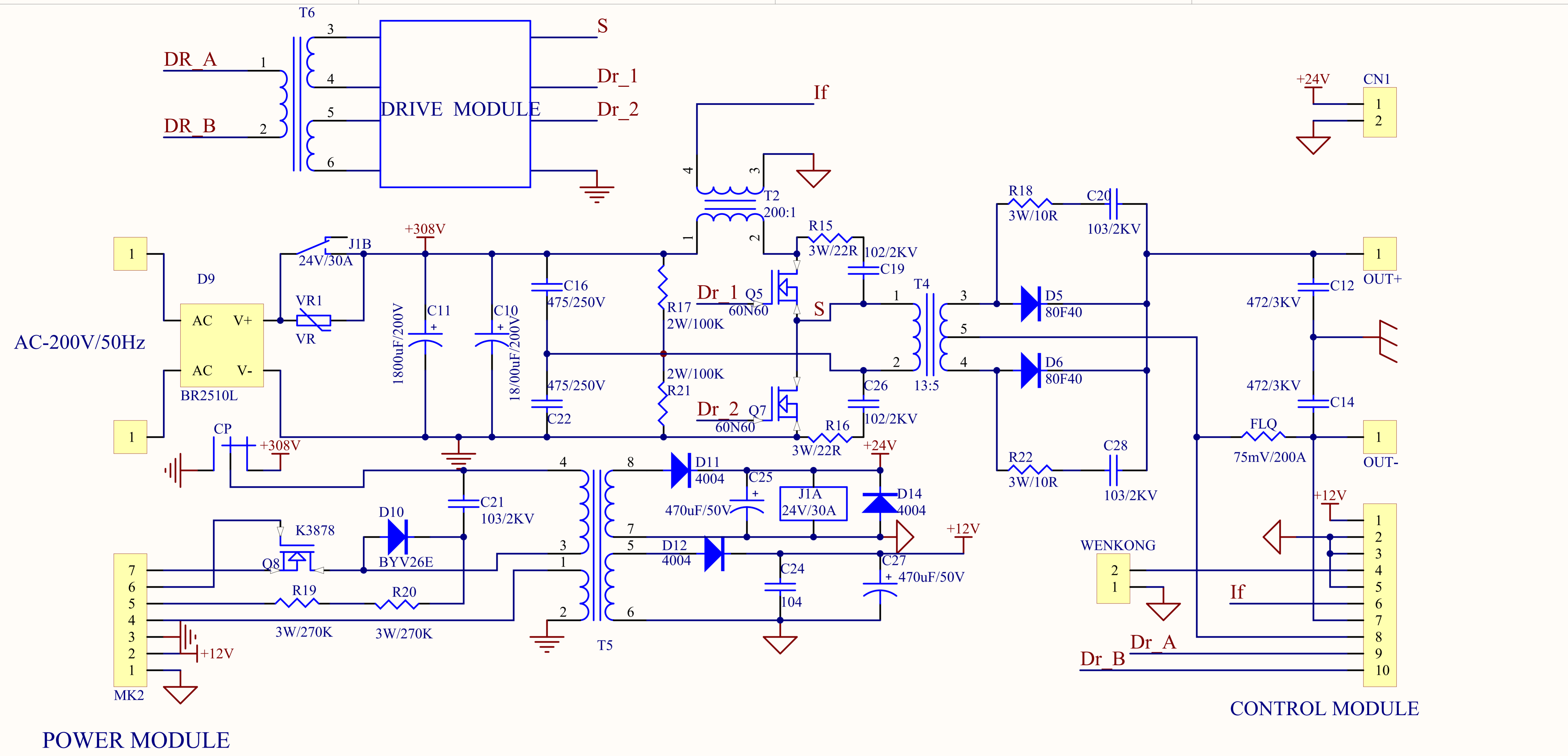
D

A

B

C

D



POWER MODULE

CONTROL MODULE