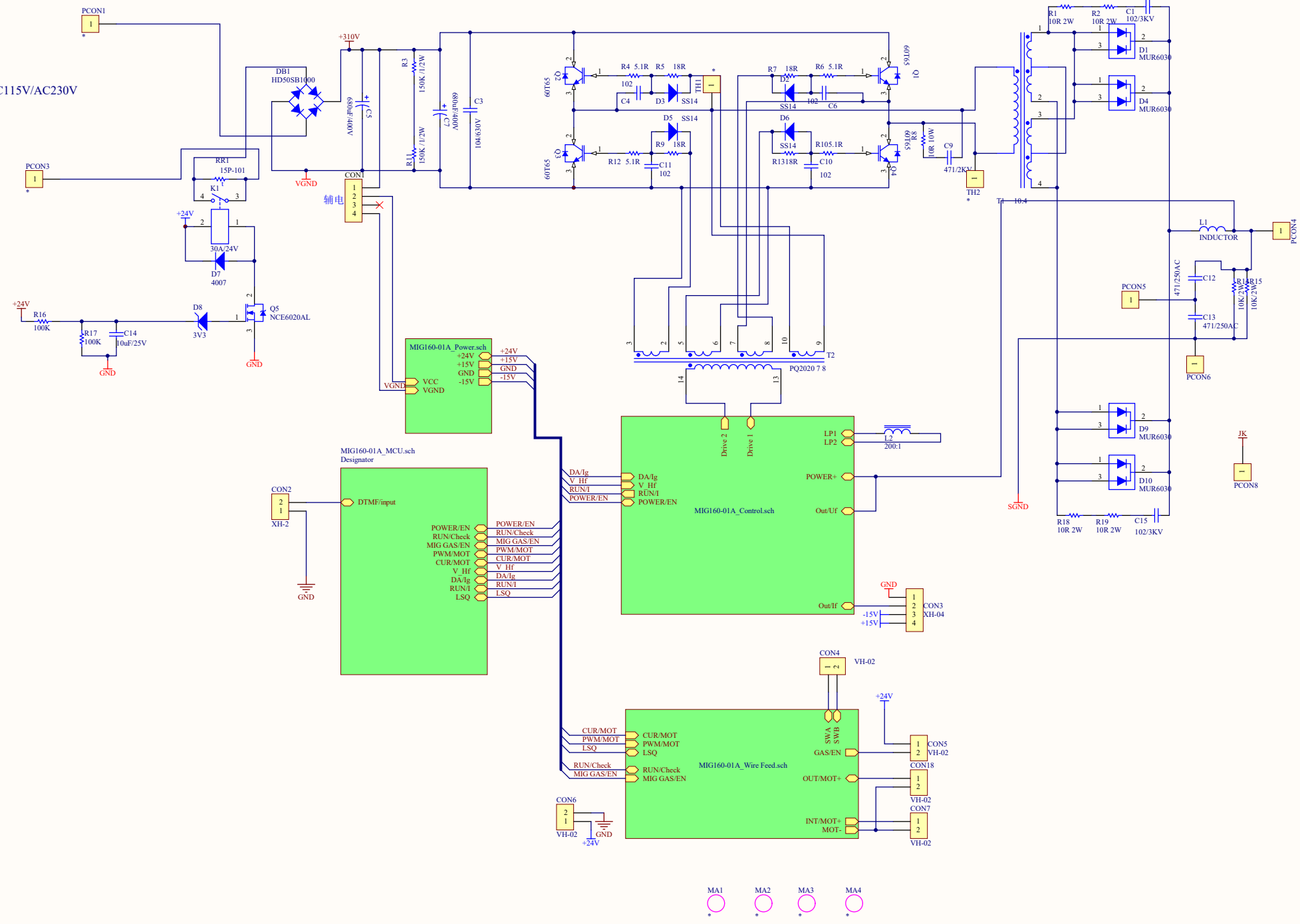
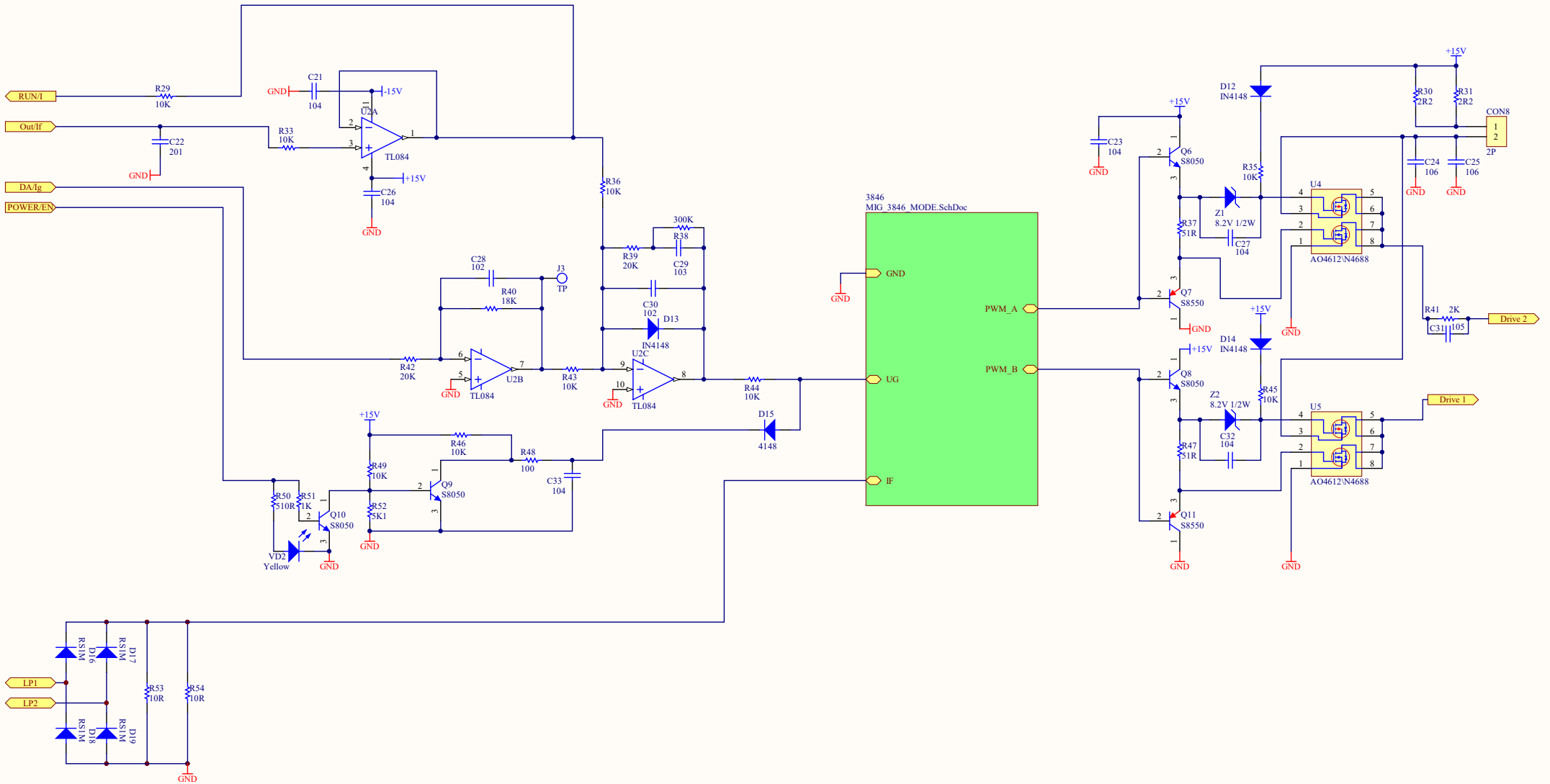
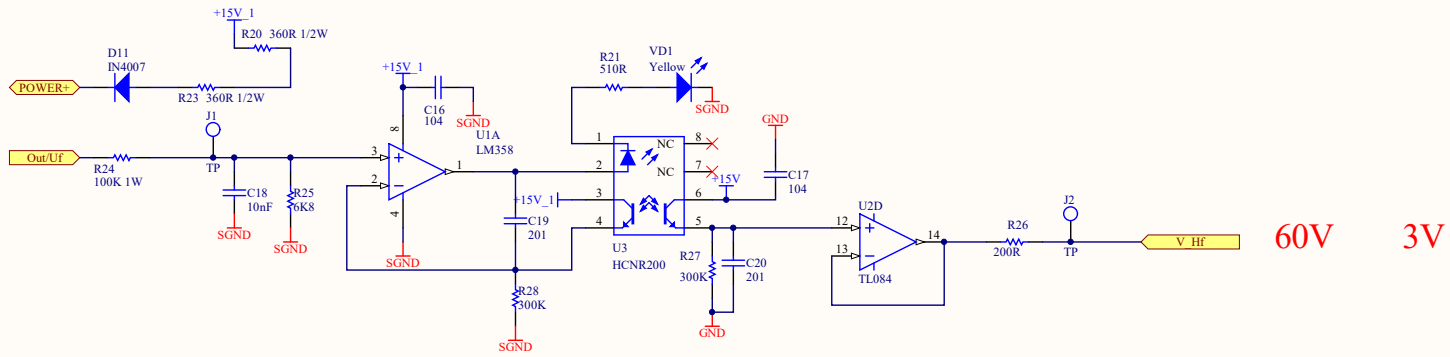
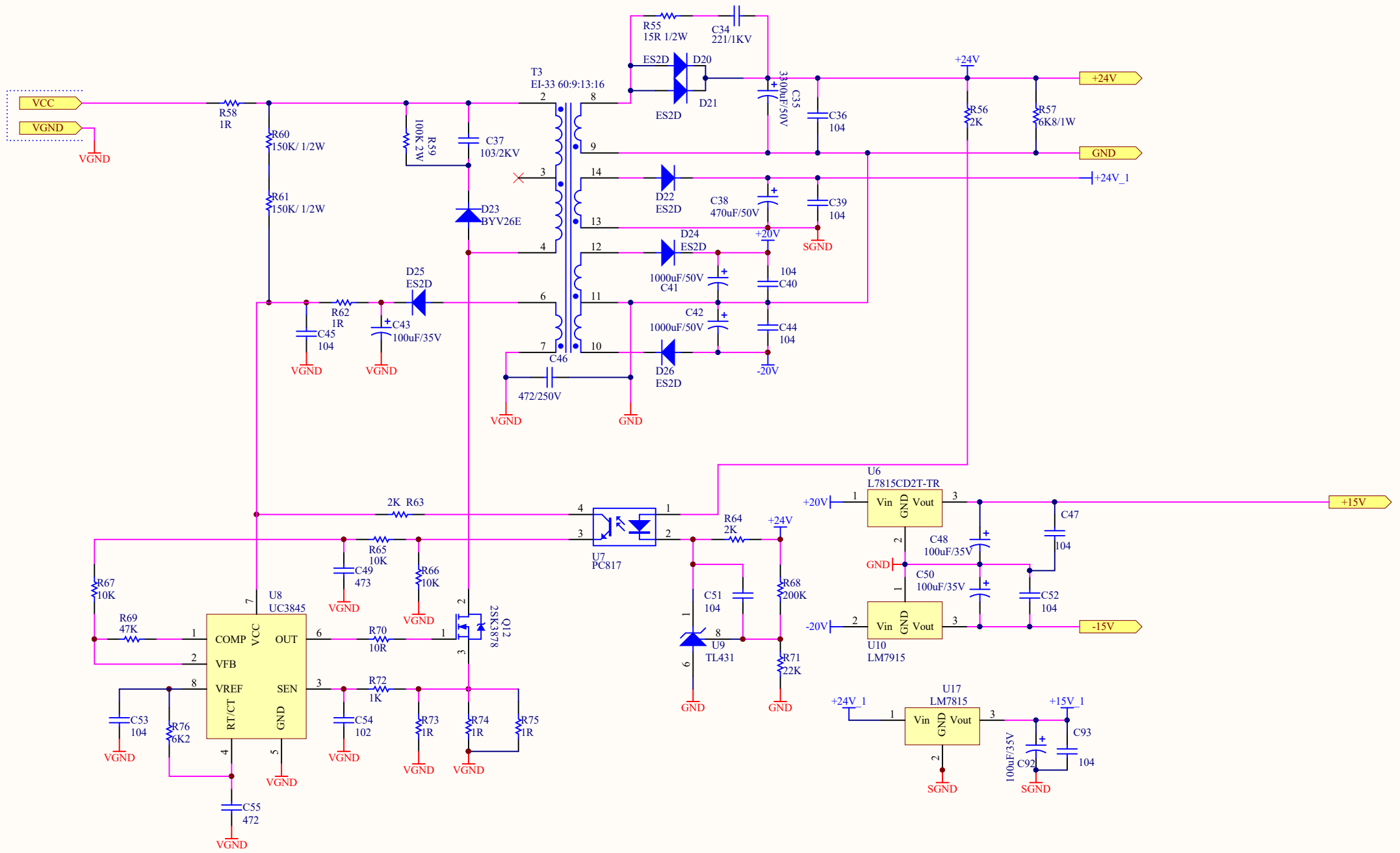


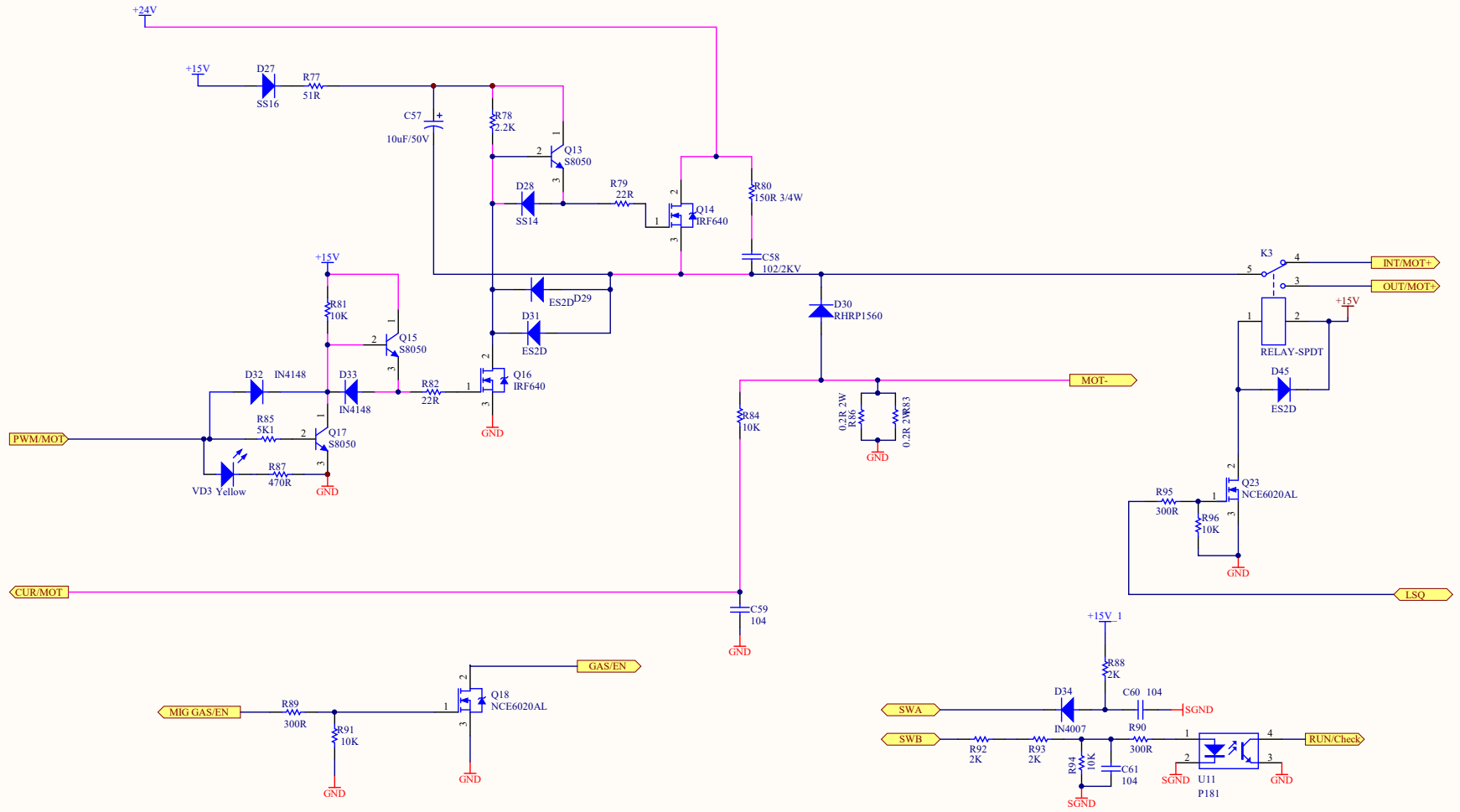
Title		
Size	Number	Revision
A4		
Date:	2018/5/22	Sheet of
File:	E:\A \.MIG 3846 MODE.SchDoc	Drawn By:

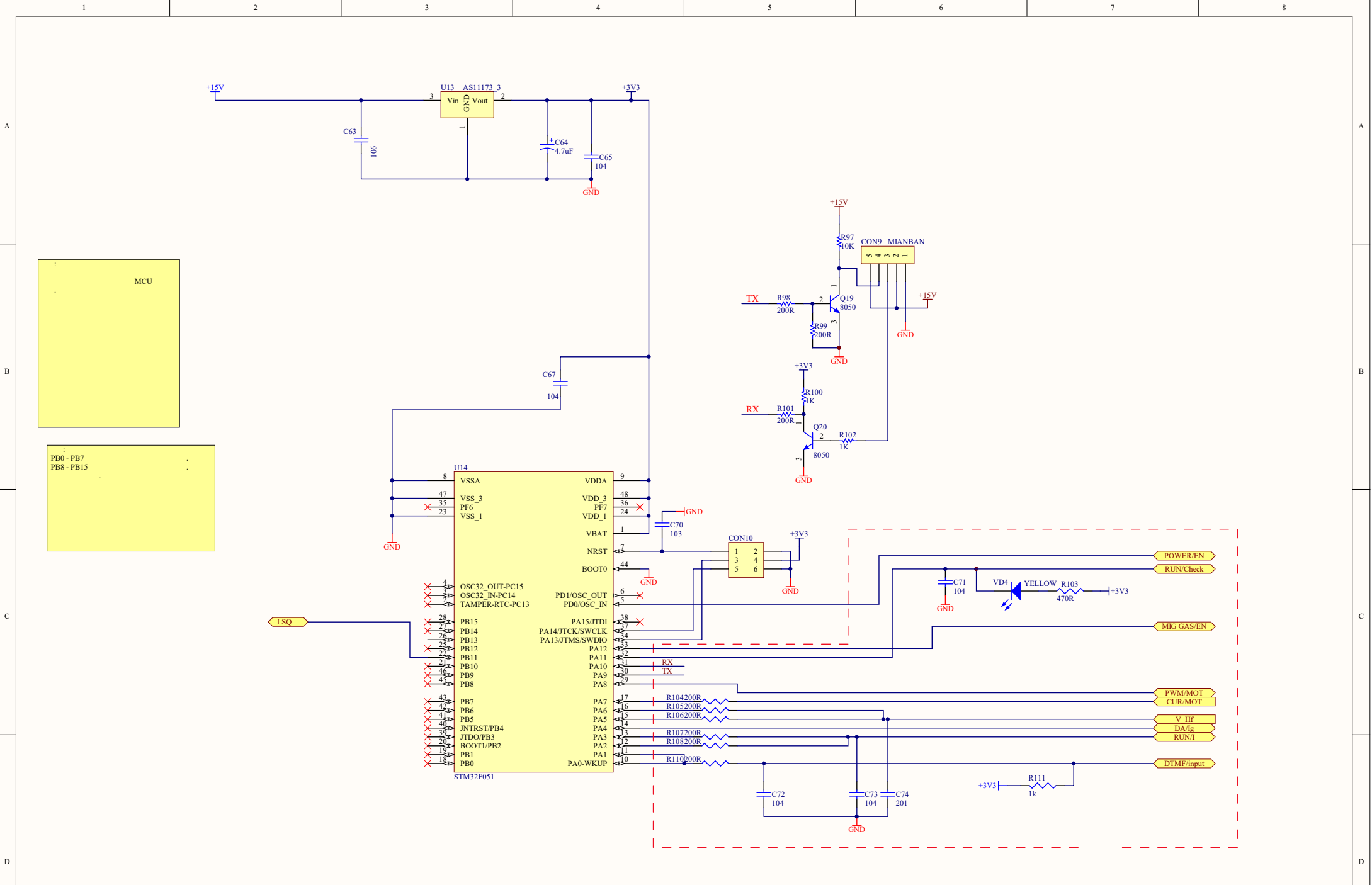
AC115V/AC230V











Title		
Size	Number	Revision
A3		
Date:	2018/5/22	Sheet of
File:	E:\A\MIG160-01A MCU.sch	Drawn By: