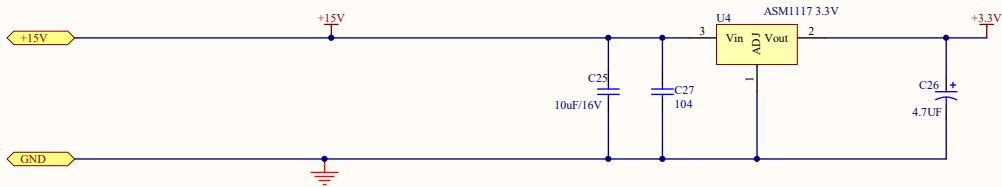
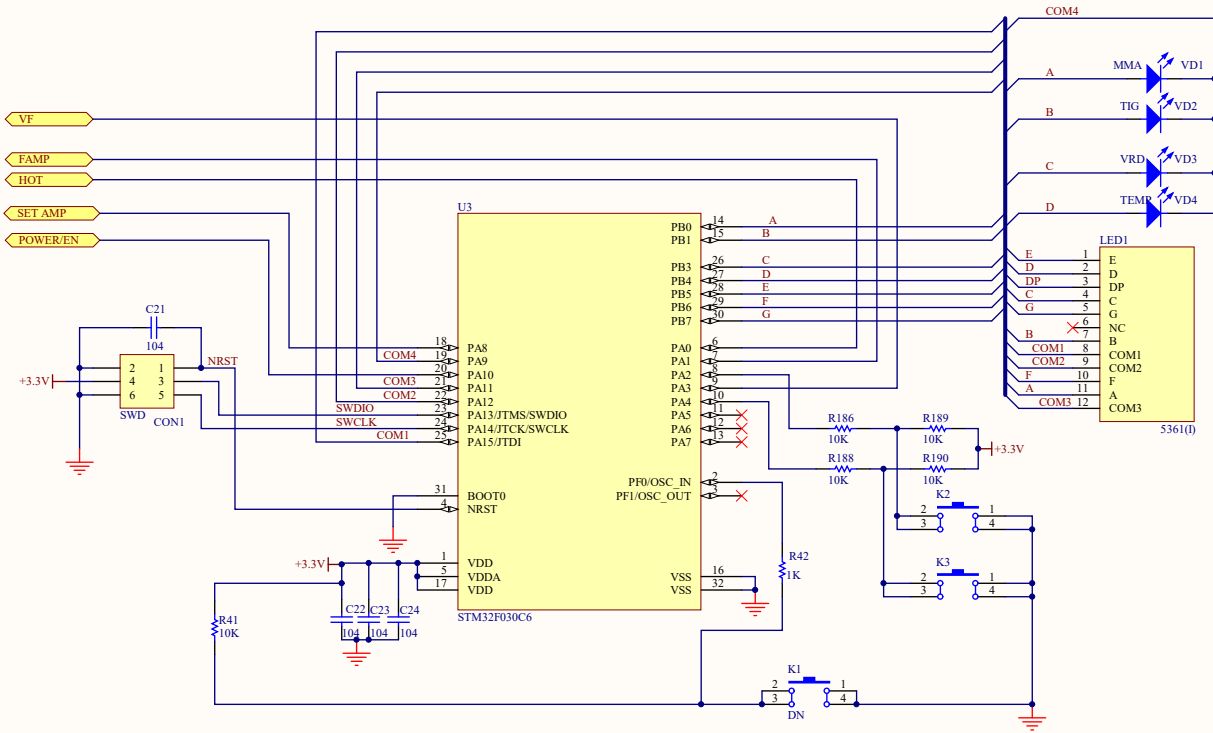


Title		
Size	Number	Revision
A3		
Date	2018/12/24	Sheet of
File:	E:\A \_1160L	( )SCHDOG Drawn By:



Title		
Size A3	Number	Revision
Date: 2018/12/24	Sheet of	
File: E:\A \_MMA	SchDoc	Drawn By: