

一次输出正极

CON1  
1  
OUT+

吸收大功率电阻  
CON2  
3 2 1  
6R/60W

E1

G1

G2

G3

G4

一次输出负极

CON3  
1  
OUT-

吸收大功率电阻  
CON5  
3 2 1  
6R/60W

E2

G61

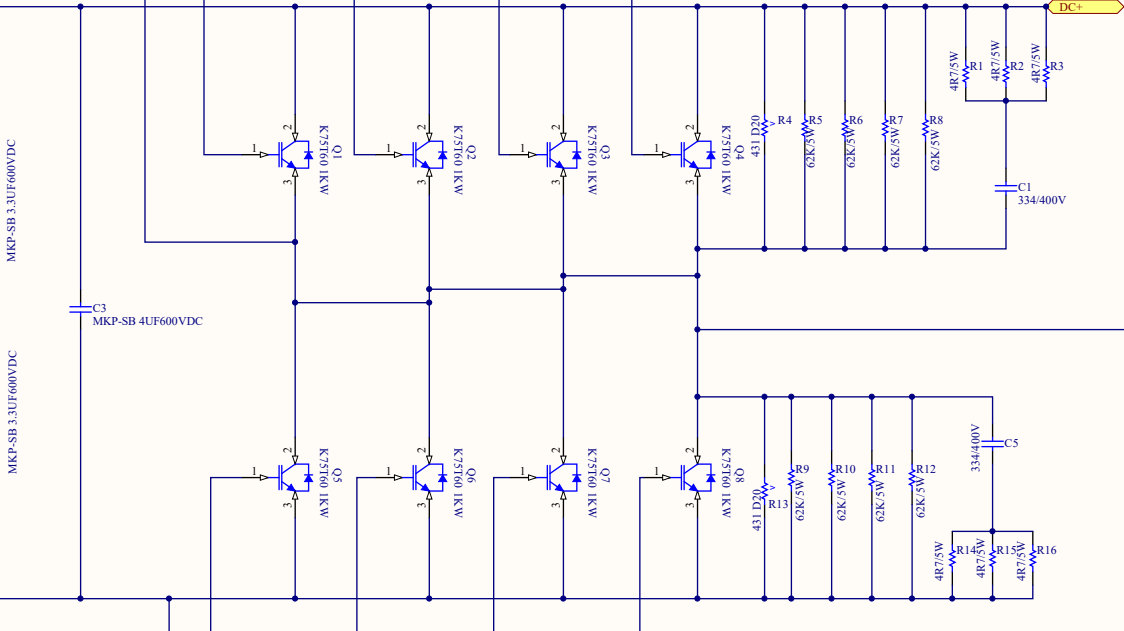
G62

G63

G64

二次输入到一次副边

CON4  
1  
I\_BACK



CON4  
1  
L\_OUT\_INVERTER  
输出

Title		
Size A3	Number	Revision
Date: 2021/1/18	Sheet of	
File: E:\A \ \ .SCHDOC	Drawn By:	