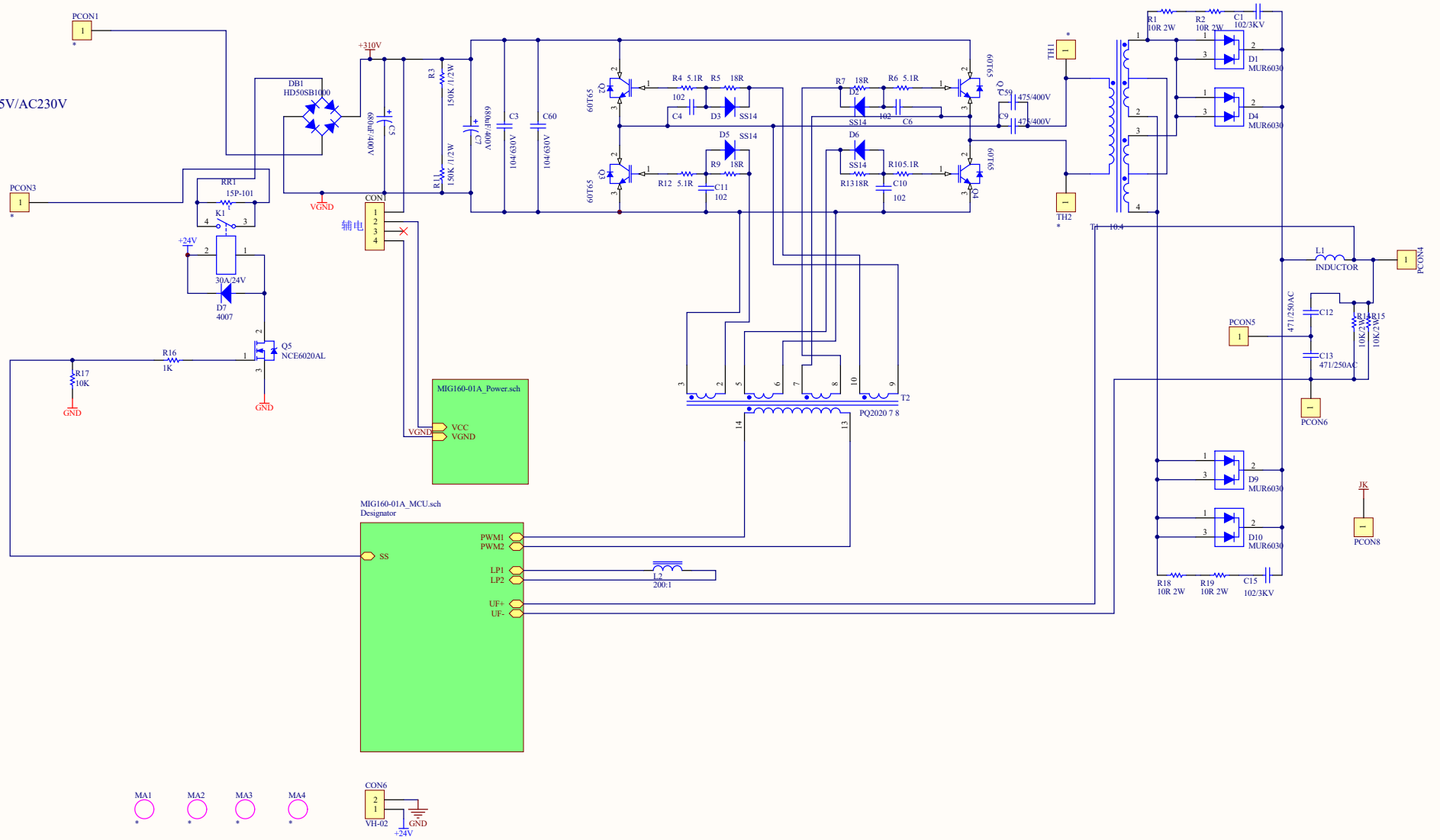
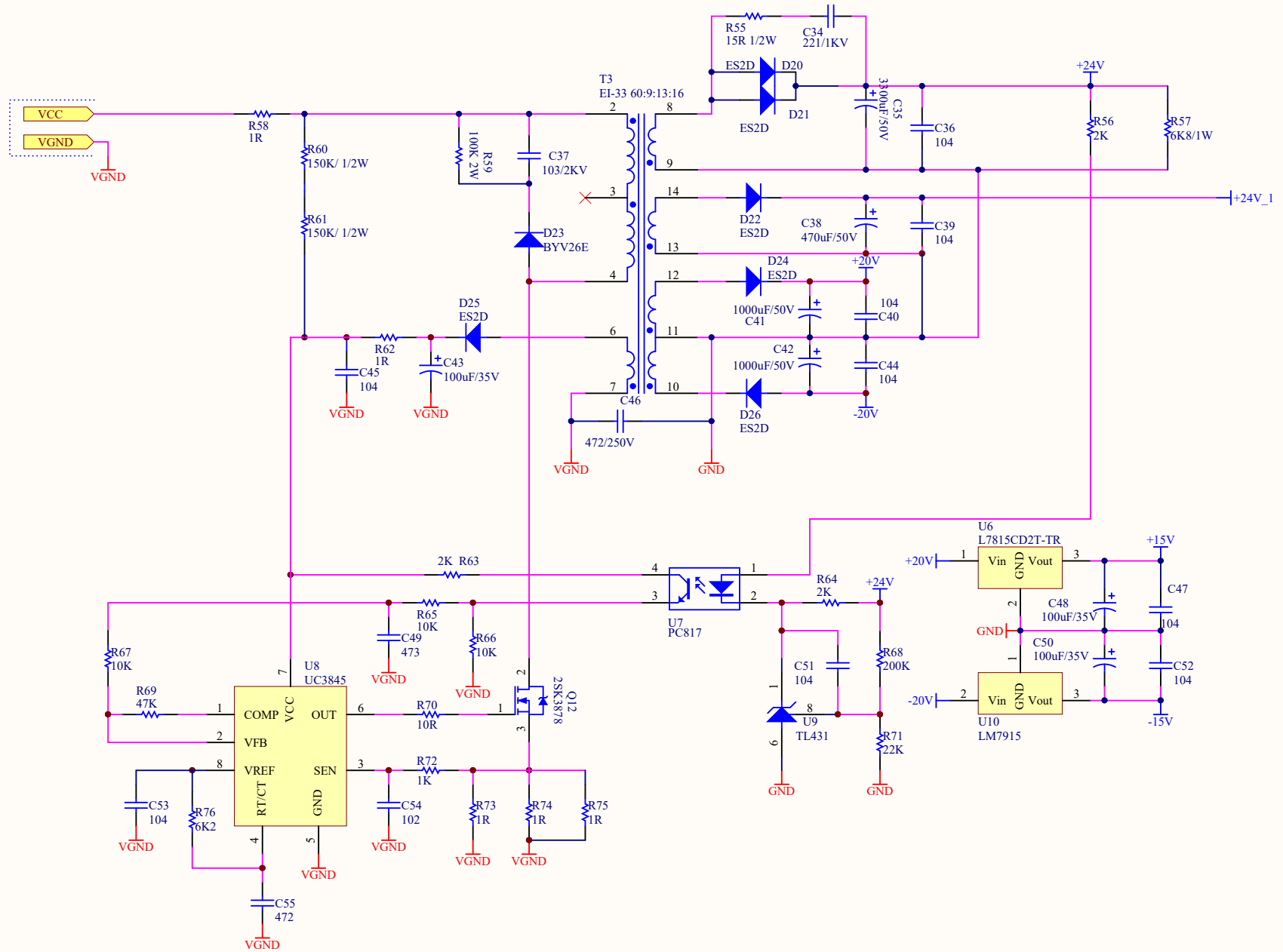
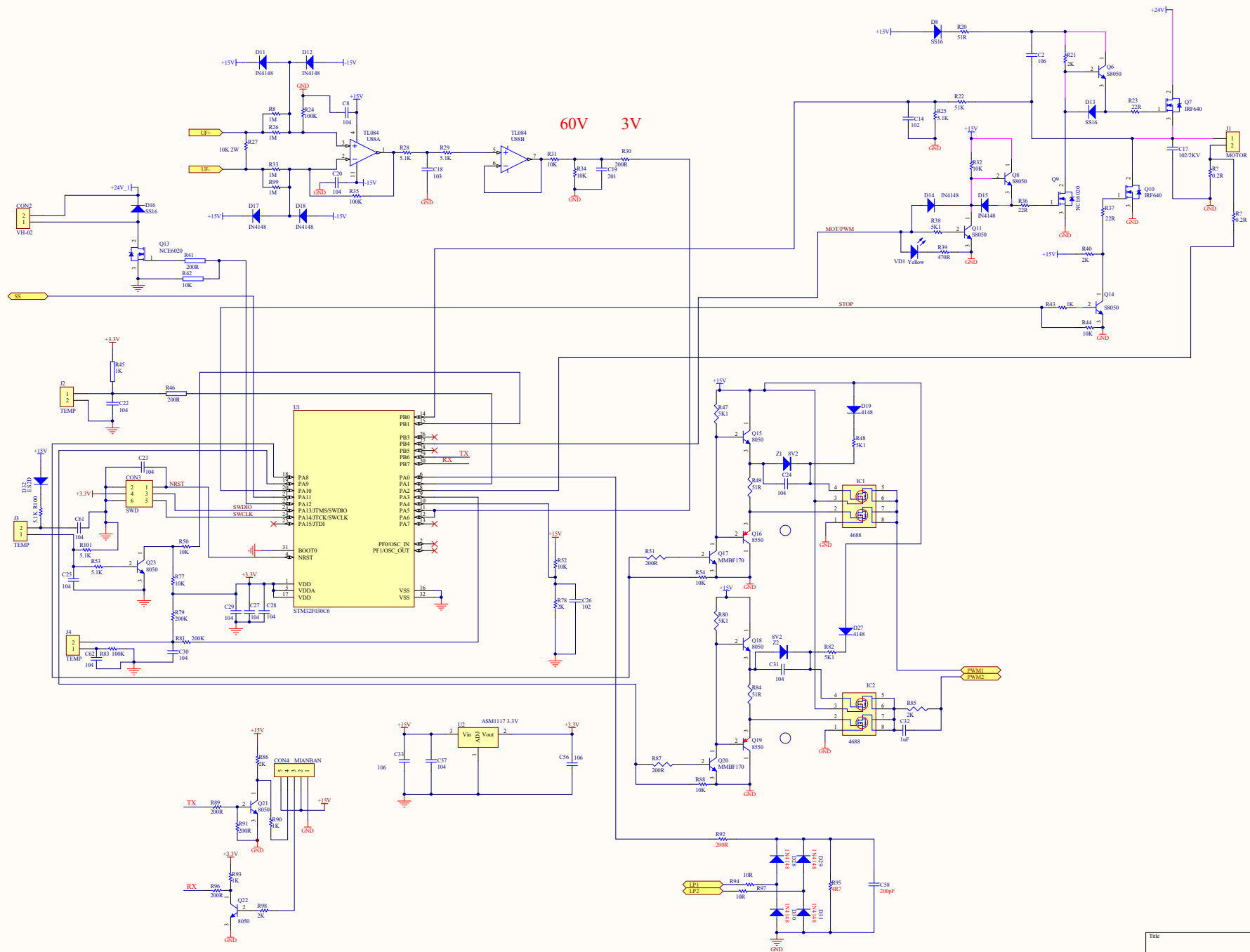


AC115V/AC230V







Title		
Size	Number	Revision
A2		
Date:	2019/1/8	Sheet of
File:	E:\A \ MHD6601A MCU\sch	Drawn By: