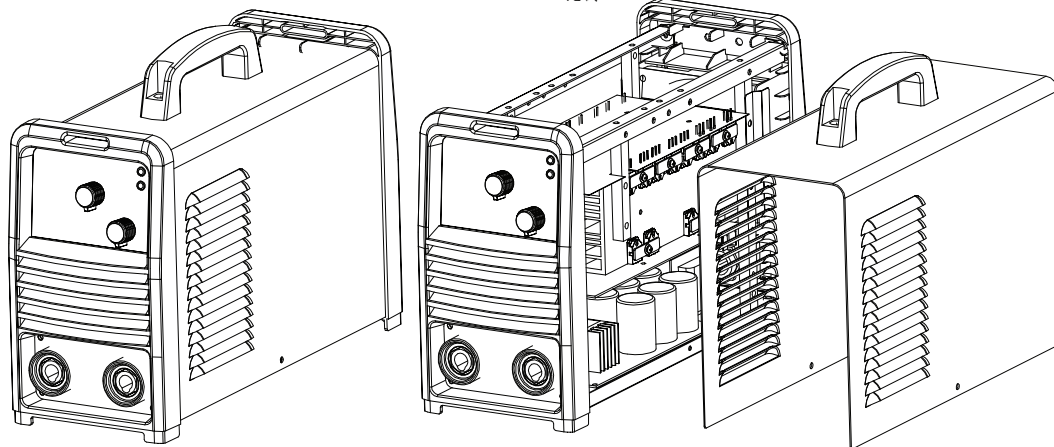


比例 0.350



| Item | Description           | Specification        | Qty | Erp code |
|------|-----------------------|----------------------|-----|----------|
| 1    | Stickers              |                      | 1   | 00.4989  |
| 2    | Knob                  | 180 series (red)118A | 2   | 00.4990  |
| 3    | Yellow LED            | KDZ-50A Black        | 1   | 00.1117  |
| 4    | Cover                 |                      | 1   | 00.4991  |
| 5    | Green LED             |                      | 1   | 00.4992  |
| 6    | Quick socket          |                      | 2   | 00.4993  |
| 7    | Stickers              |                      | 1   | 00.4994  |
| 8    | Down insulation plate |                      | 1   | 00.4995  |
| 9    | Front plate           |                      | 1   | 04.0134  |
| 10   | Bottom plate          |                      | 1   | 00.4996  |
| 11   | Bottom board          |                      | 1   | 00.4997  |
| 12   | Potentiometer         | 2W1K 3X3-80          | 2   | 00.0804  |
| 13   | Copper connector      |                      | 2   | 00.4998  |
| 14   | Left radiator         |                      | 1   | 00.4999  |
| 15   | Centre board          |                      | 1   | 00.5000  |
| 16   | Silicon bridge        | S25VB100 10V8-175    | 2   | 00.0846  |
| 17   | Upright column        |                      | 2   | 00.5001  |
| 18   | Transformer           |                      | 1   | 00.5002  |
| 19   | Right radiator        |                      | 1   | 00.5003  |
| 20   | Tableting             |                      | 12  | 00.5004  |
| 21   | Down wind shield      |                      | 1   | 00.5005  |
| 22   | Rear plate            |                      | 1   | 04.0135  |
| 23   | Power switch          | 20A(blue) SANMENXIA  | 1   | 00.0640  |
| 24   | Wire button           | 自锁M22(黑色)            | 1   | 00.0655  |
| 25   | Right wind shield     |                      | 1   | 00.5006  |
| 26   | Bean                  |                      | 2   | 00.5007  |
| 27   | Fan                   |                      | 1   | 00.5008  |
| 28   | Top wind shield       |                      | 1   | 00.5009  |
| 29   | Top board             |                      | 1   | 00.5010  |
| 30   | Left windshield       |                      | 1   | 00.5011  |
| 31   | Column                |                      | 2   | 00.5012  |
| 32   | Handy                 |                      | 1   | 00.4970  |

|                          |                       |       |            |
|--------------------------|-----------------------|-------|------------|
| 客户代码                     |                       | 制图    | kite zhang |
| 文件名称                     | ARC 200 MOSFET<br>爆炸图 | 审核    |            |
| 图号                       |                       | 批准    |            |
| 版本号                      |                       | 日期    | 2013.10.12 |
| CHINAPOWER INTL CO.,LTD. |                       | CREP® |            |