

1

2

3

4

A

A

B

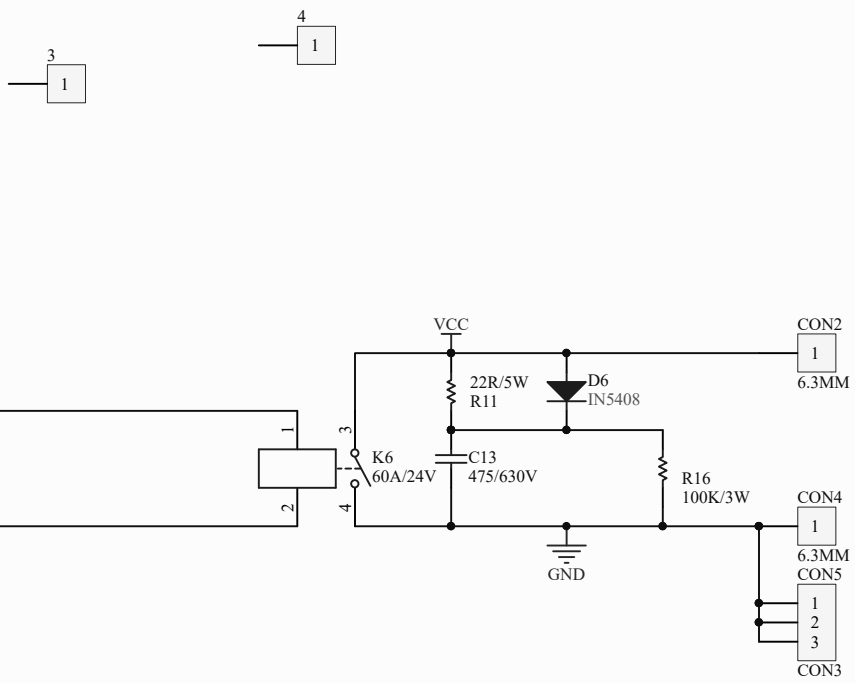
B

C

C

D

D



Title		
Size	Number	Revision
A4		
Date:	2023/9/1	Sheet of
File:	\\.\CUT 40 WH.SchDoc	Drawn By:

1

2

3

4