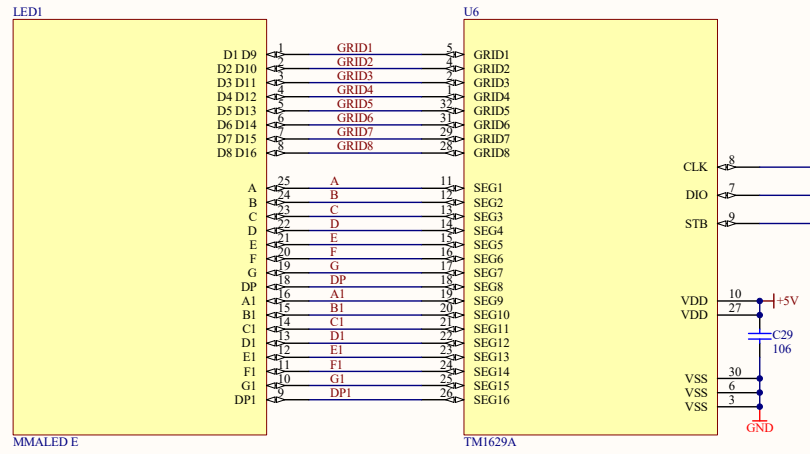
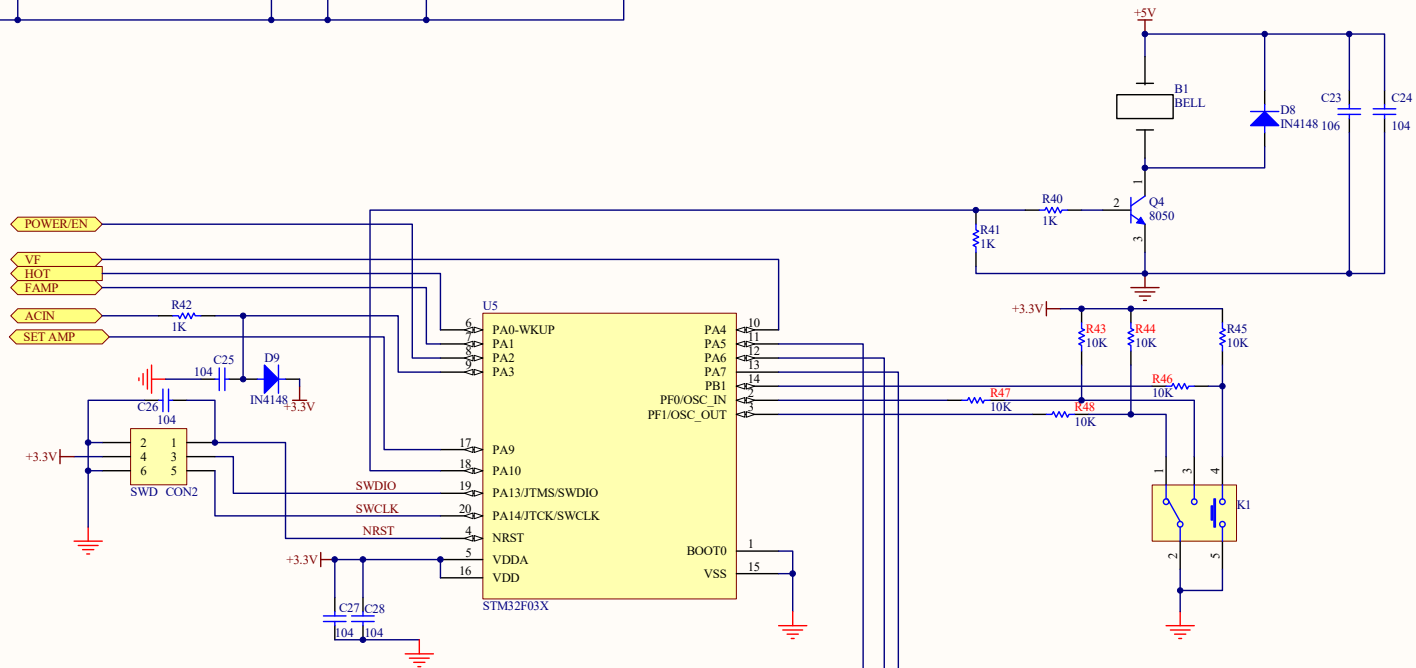
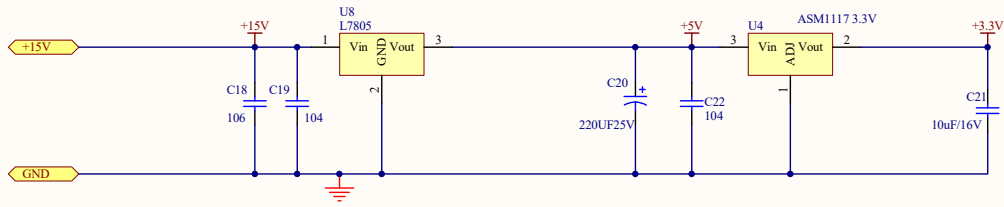


Title		
Size	Number	Revision
A3		
Date:	2023/7/27	Sheet of
File:	F3-精密1.60L控制原理(前).SCHDOC	Drawn By:



Title		
Size	Number	Revision
A3		
Date:	2023/8/29	Sheet of
File:	F:\研韬\MMMA半数字面板.SchDoc	Drawn By: