

1

2

3

4

A

A

B

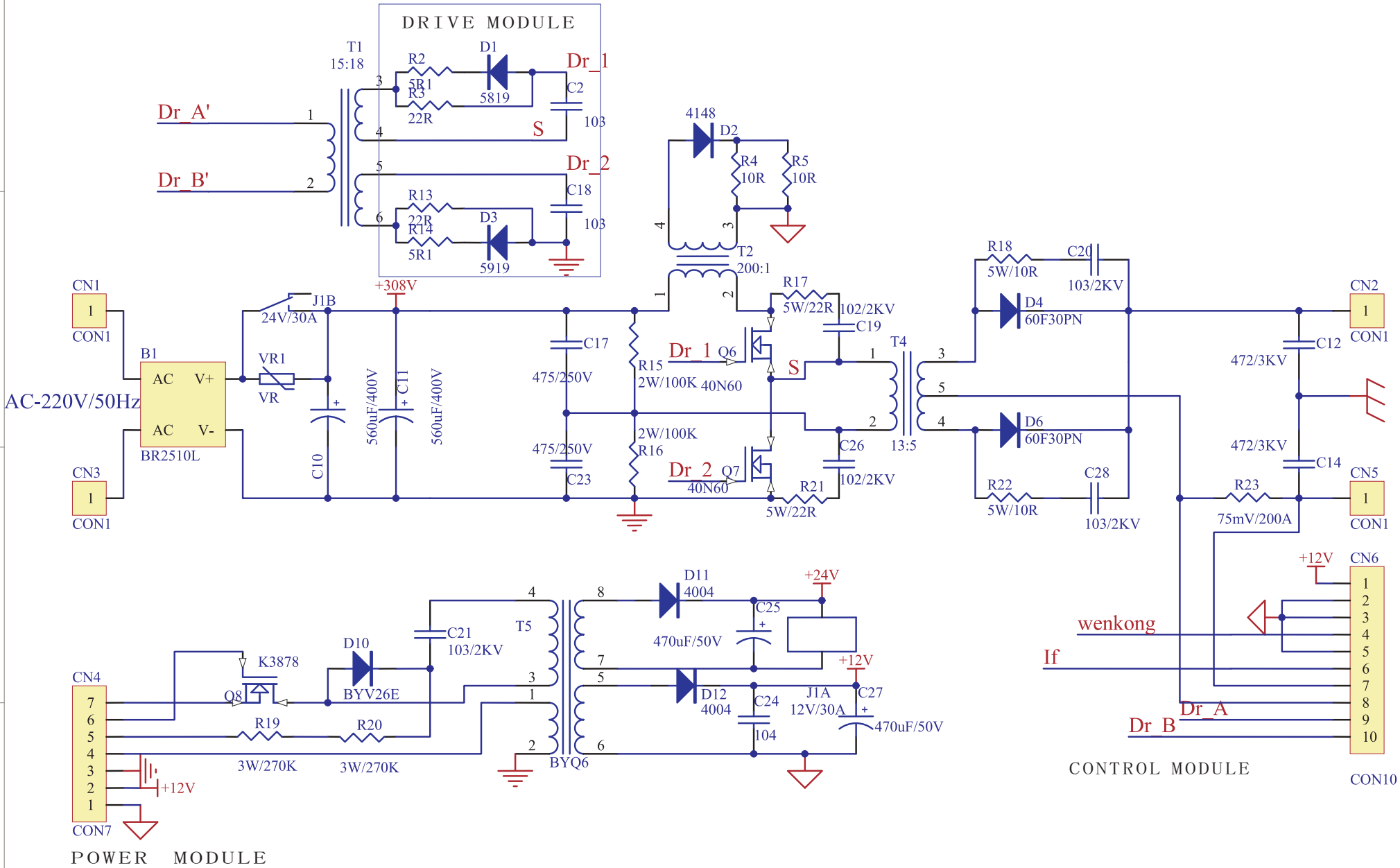
B

C

C

D

D



1

2

3