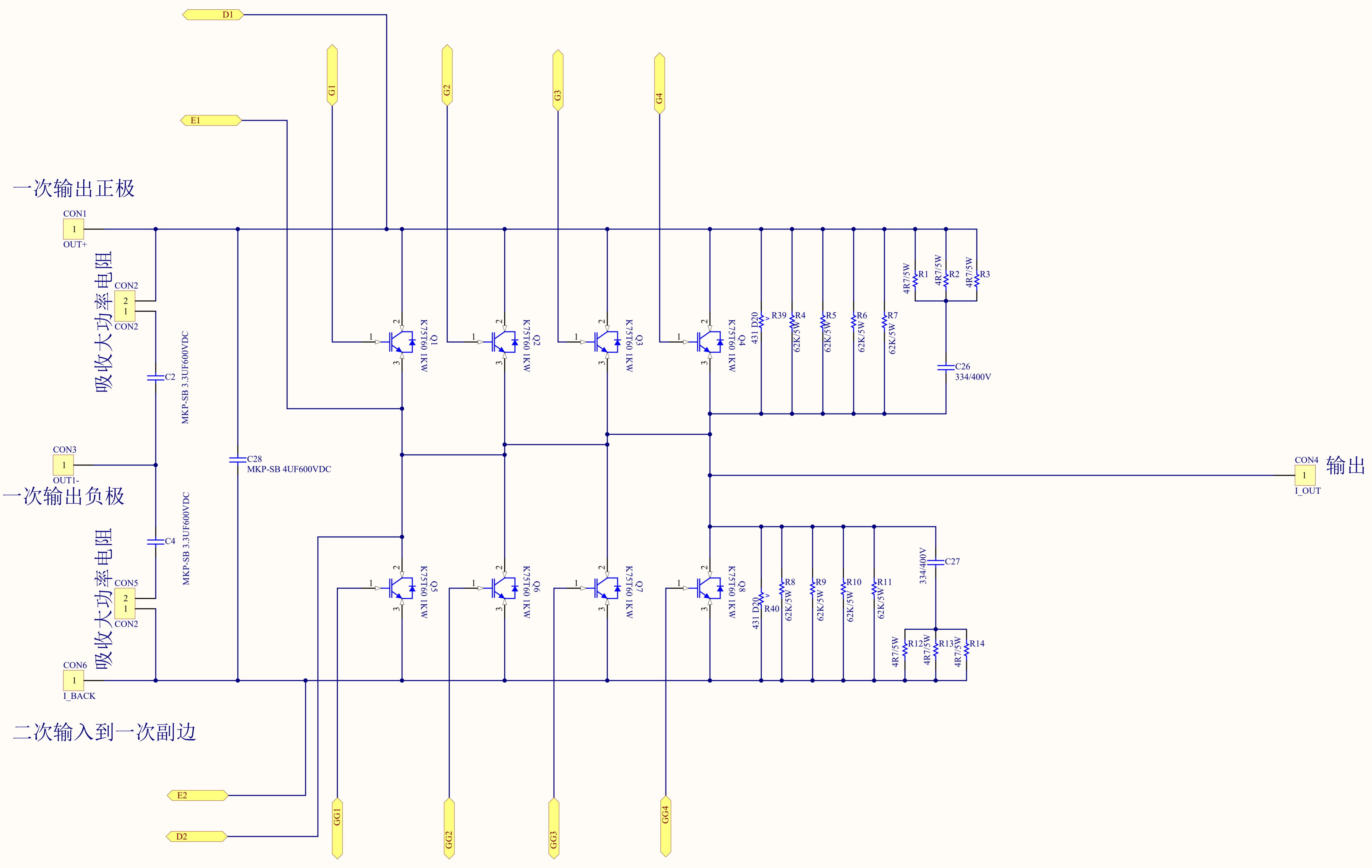
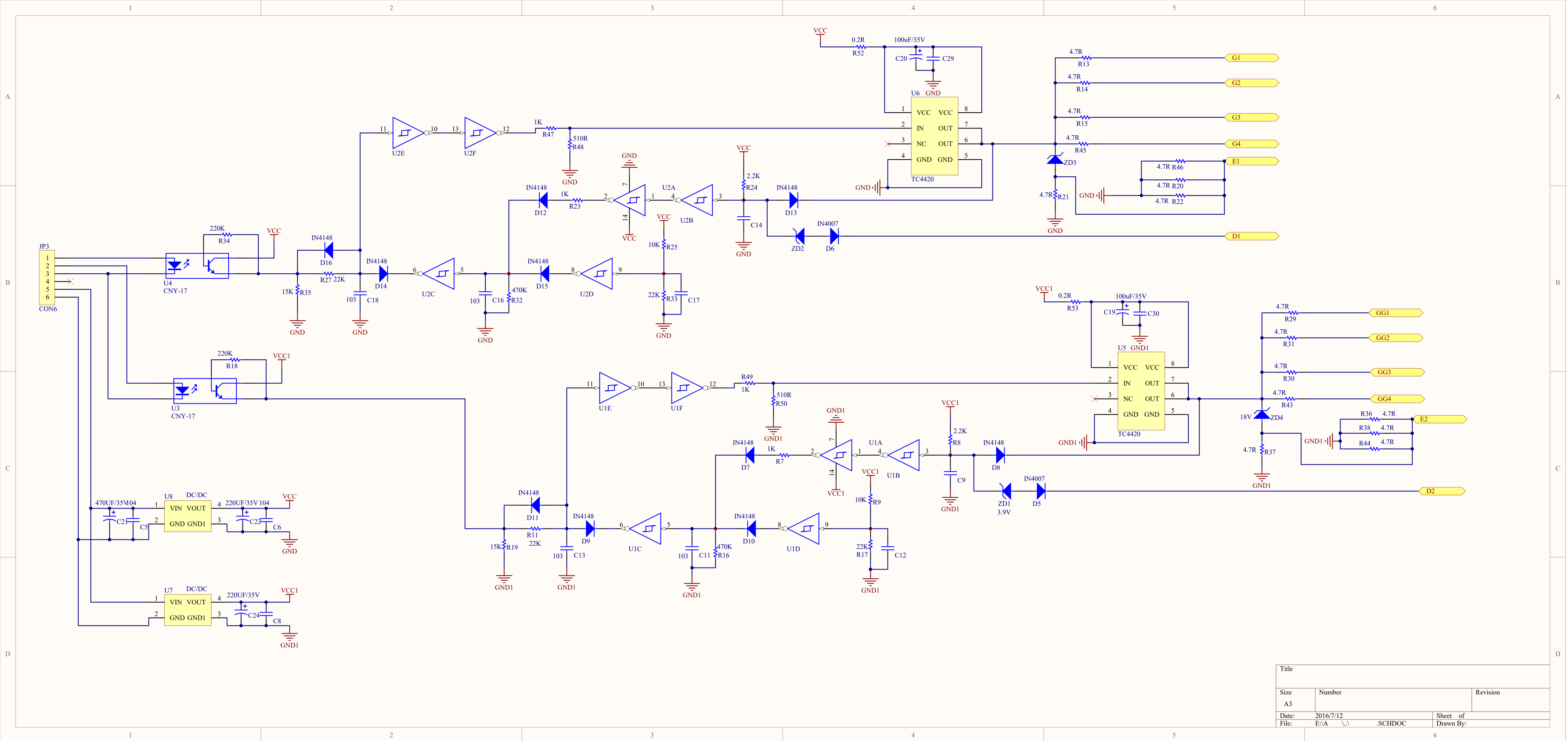


Title		
Size	Number	Revision
A4		
Date:	2016/7/12	Sheet of
File:	E:\A \.\MAIN.SchDoc	Drawn By:



Title		
Size	Number	Revision
A3		
Date:	2016/7/12	Sheet of
File:	E:\A \. \.SCHDOC	Drawn By:



Title		
Size	Number	Revision
A3		
Date:	2016/7/12	Sheet of
File:	E:\A \.SCHDOC	Drawn By: