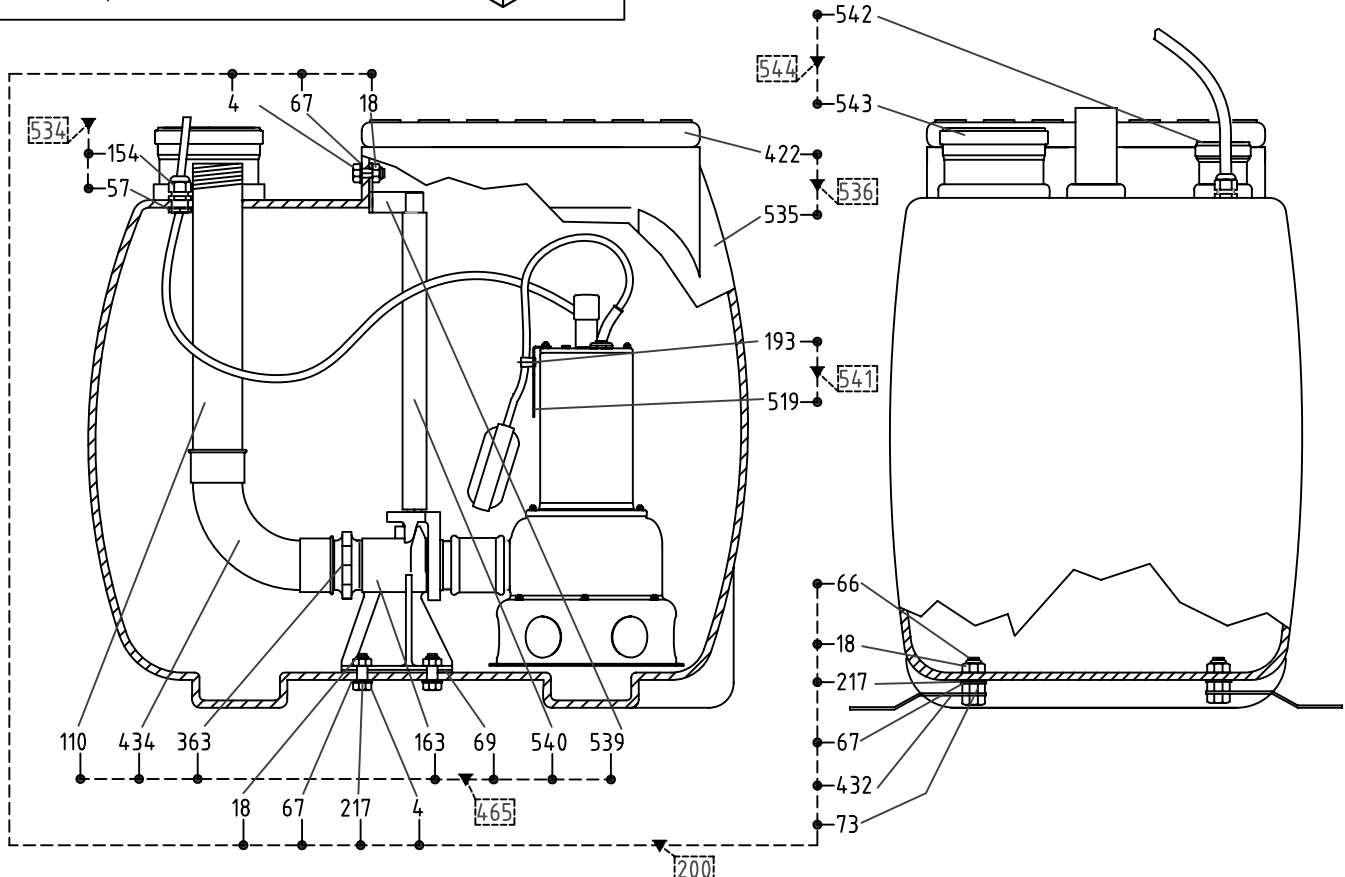


ITEMS FOR 3phase MODELS ONLY

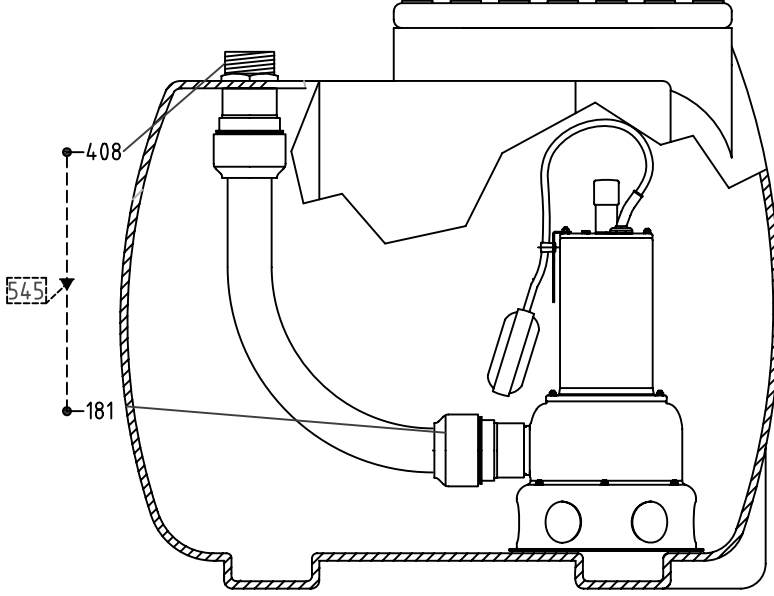
B



VS 200 S-P

B

A



VS 200-P

A

	Pentair Water Italy S.r.l. Via Masaccio,13 56010 Lugnano (PI) ITALY	Drawn	R.De Ieso		Title	VACUSYSTEM VS200		Sheet	1 of 1
		Approved	-	Date (dd/mm/yy)	06.10.2010	Filename	DR100025_00	Dwg #	DR100025

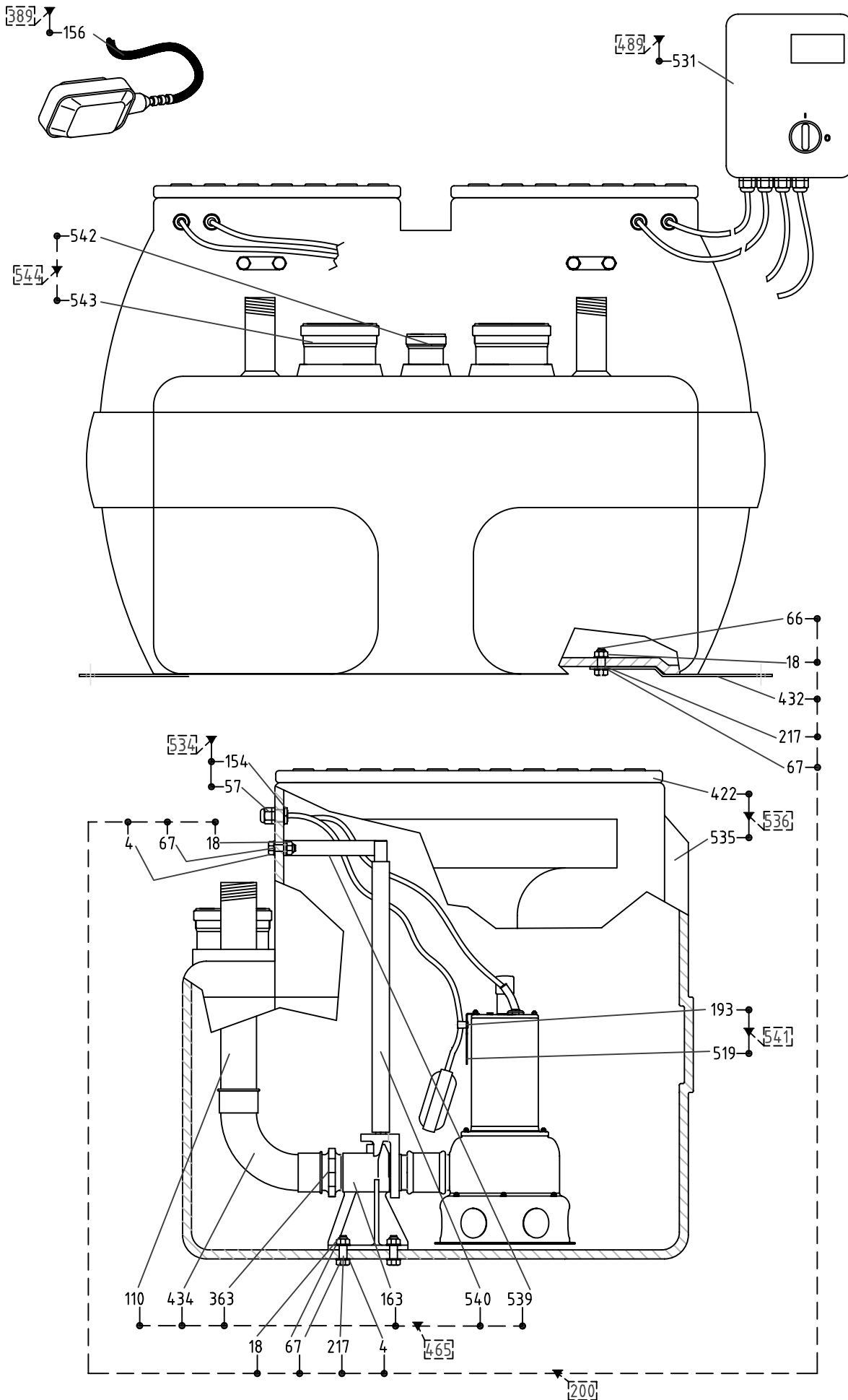
This drawing is the absolute property of Pentair Water Italy S.r.l. It may not be reproduced in any form without the written permission of Pentair Water Italy S.r.l.


B

B

A

A



	Pentair Water Italy S.r.l. Via Masaccio,13 56010 Lugnano (PI) ITALY	Drawn	R.De Ieso		Title	VACUSYSTEM VS500		Sheet	1 of 1
		Approved	-		Date (dd/mm/yy)	14.10.2010	Filename	DR100026_00	Dwg #