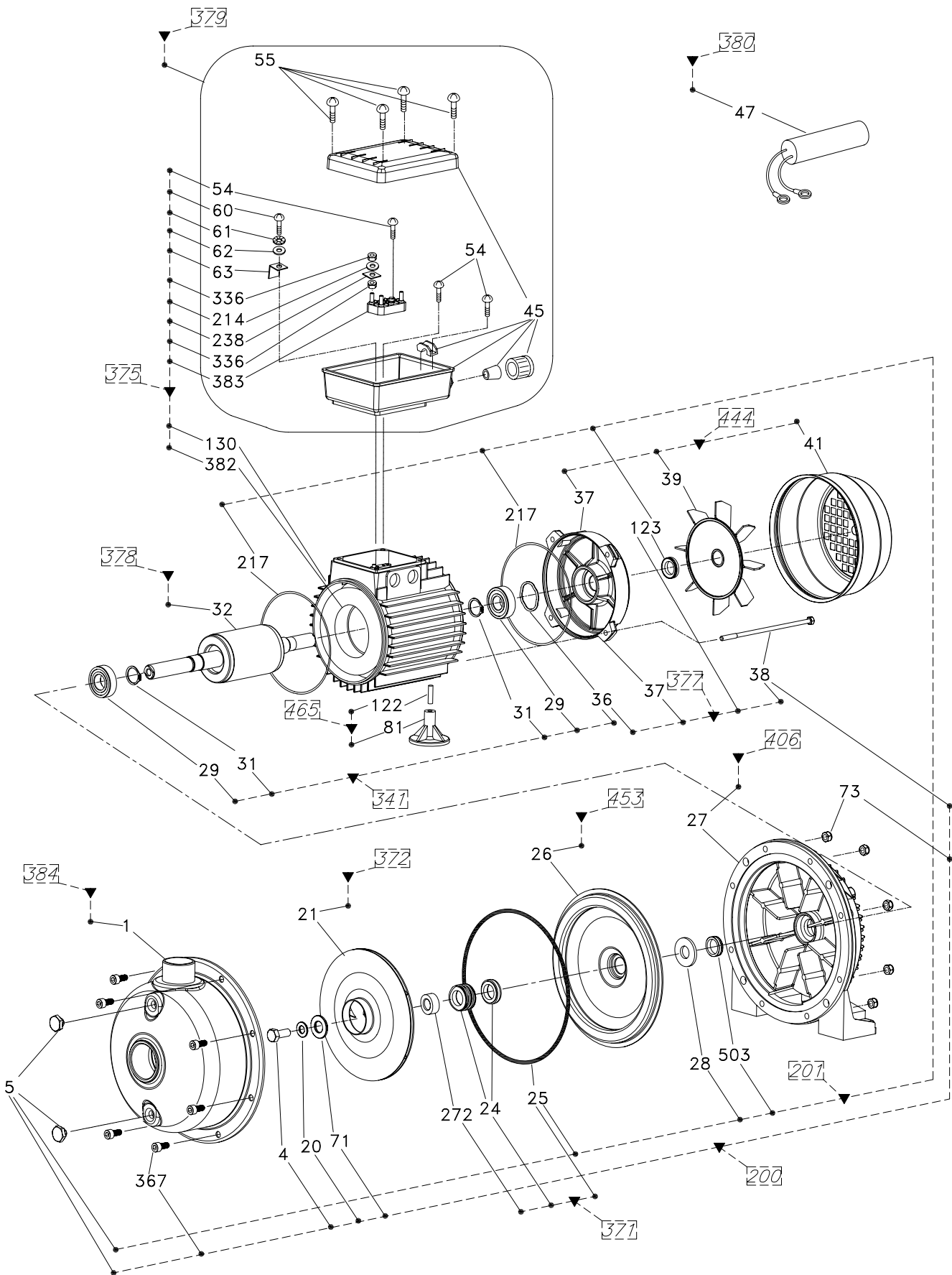


B

B

A

A



Pentair Water Italy S.r.l.
 Via Masaccio,13
 56010 Lugnano (PI)
 ITALY

Drawn
 A.Bertola
 Approved
 M.Bernacca

Title
 SSCX
 Date (dd/mm/yy)
 14-06-10
 Dwg #

Sheet
 1 of 1
 DR100018_00

This drawing is the absolute property of Pentair Water Italy S.r.l. It may not be reproduced in any form without the written permission of Pentair Water Italy S.r.l.