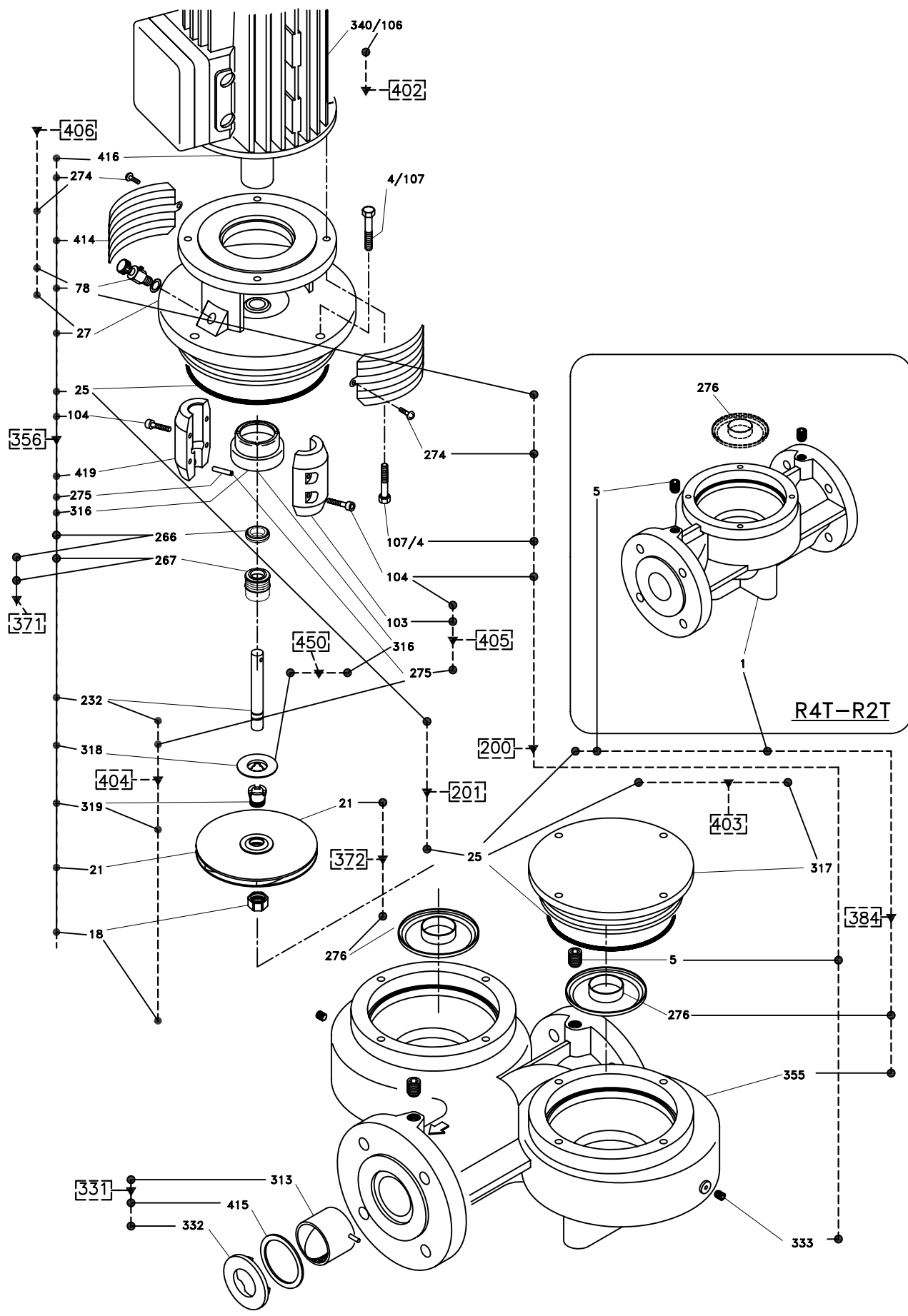


B

B



A

A



Pentair Water Italy S.r.l.
 Via Masaccio, 13
 56010 Lugnano (PI)
 ITALY

Drawn C.Vagliani
 Approved R.De Ieso

Title R2T-R4T/R2TD-R4TD
 Date (dd/mm/yy) 28.10.2009
 Dwg

Sheet 1 of 1

DR980008_02

This drawing is the absolute property of Pentair Water Italy S.r.l. It may not be reproduced in any form without the written permission of Pentair Water Italy S.r.l.