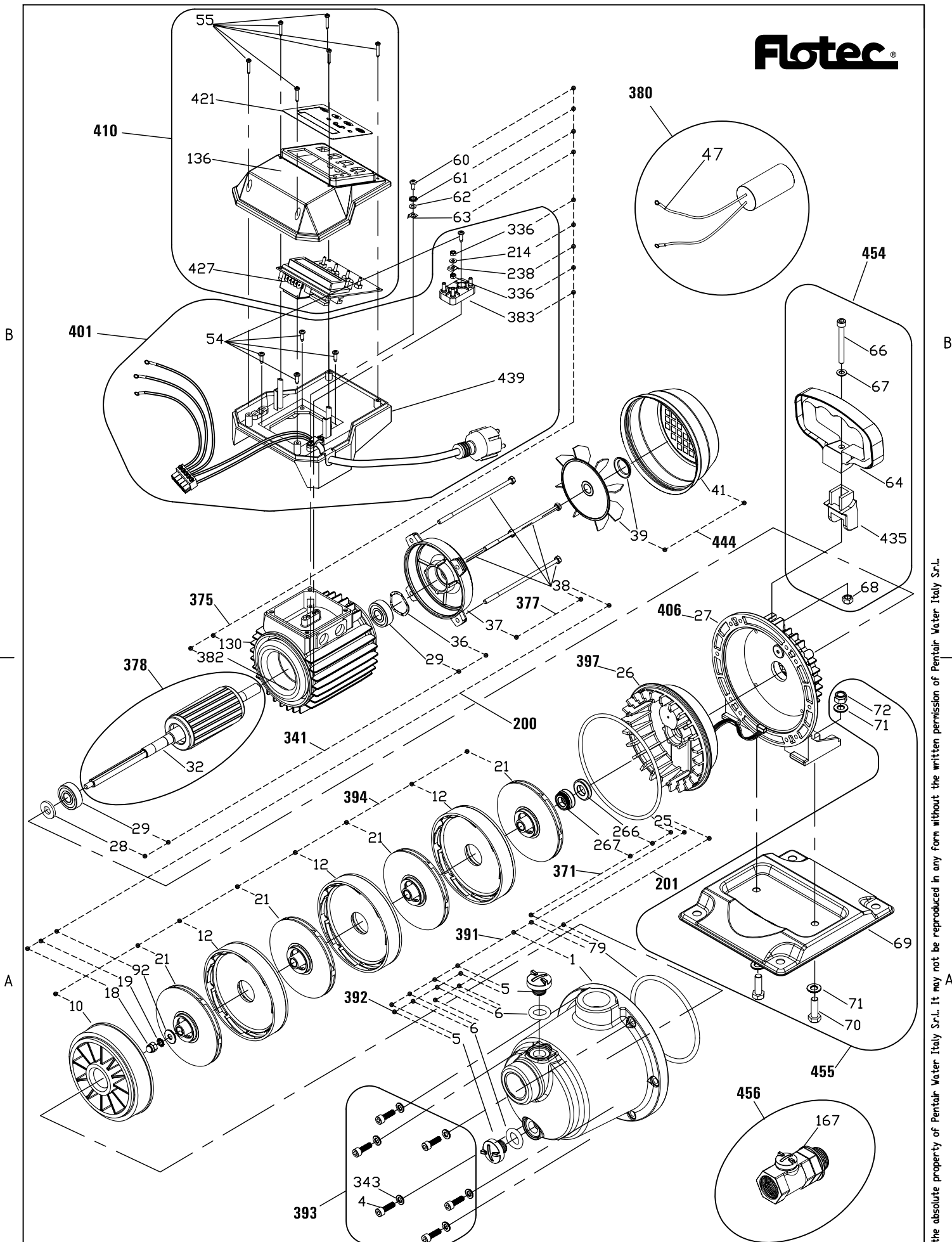


**Flotec**



	<b>Pentair Water Italy S.r.l.</b> Via Masaccio, 13 56010 Lugnano (PI) ITALY	Drawn <b>A.Bertola</b> Approved <b>M.Bernacca</b>	Title <b>ERGON 5000</b> Date (dd/mm/yy) <b>20/04/2010</b> Deg # <b>DR080008_03</b>	Sheet <b>1 of 1</b>

This drawing is the absolute property of Pentair Water Italy S.r.l. It may not be reproduced in any form without the written permission of Pentair Water Italy S.r.l.